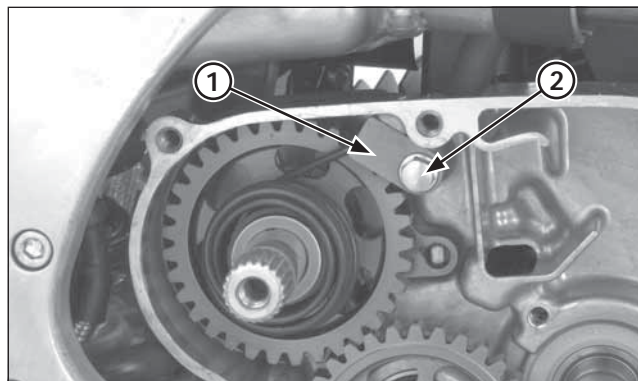
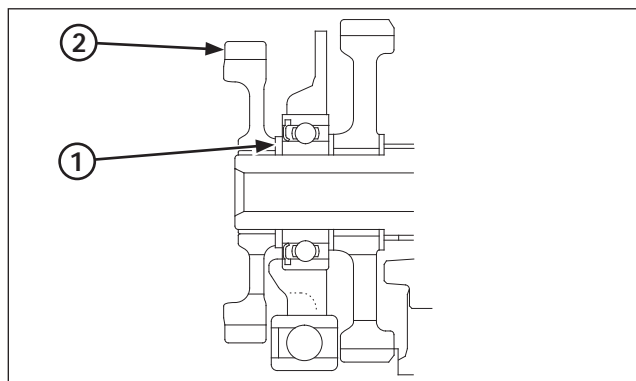


(1) KICKSTARTER ASSEMBLY  
(2) SPRING HOOK

Install the kickstarter assembly and hook the starter ratchet with the stopper.  
Install the return spring end into the crankcase hole as shown.



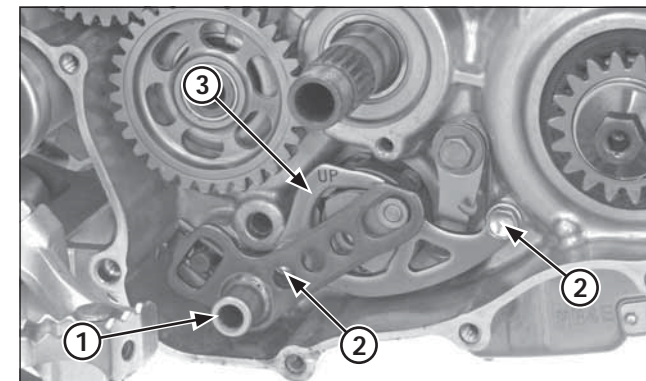
(1) STOPPER PLATE  
(2) BOLT



(1) THRUST WASHER  
(2) IDLE GEAR

Install the kickstarter return spring stopper plate, and tighten the bolt securely.

Install the thrust washer and idle gear onto the countershaft.  
Note the direction of the idle gear as shown in the illustration.



(1) GEARSHIFT SPINDLE  
(2) BOLTS  
(3) GUIDE PLATE

### Gearshift Linkage

#### Removal

Remove the gearshift pedal.  
Pull out the gearshift spindle from the crankcase.

Remove the guide plate bolts and guide plate as an assembly.

Remove the center bolt and drum center.  
Remove the bolts and stopper arm, return spring and washer.