

(1) BANJO BOLT  
(2) SEALING WASHER

## Fuel Line Inspection

### Fuel Pressure Inspection

#### WARNING

Gasoline is highly flammable and is explosive. You can be burned or seriously injured.

- Stop engine and keep heat, sparks, and flame away.
- Refuel only outdoors.
- Wipe up spills immediately.

#### NOTICE

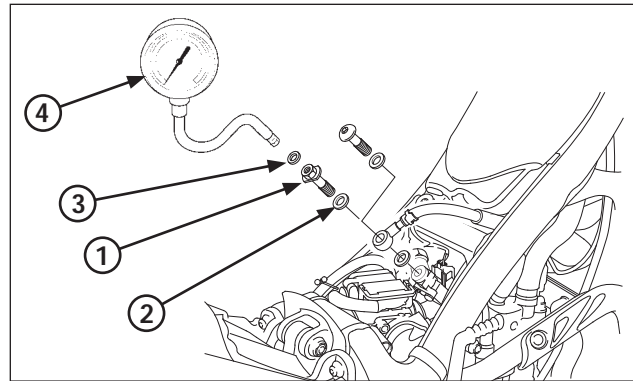
Before disconnecting the fuel hoses, release the fuel pressure by loosening the fuel feed hose banjo bolt at the injector holder.

Always replace the sealing washers when the fuel hose banjo bolt is removed or loosened.

Remove the rear fender.

Cover the fuel feed hose banjo bolt with a rag or shop towel.

Slowly loosen the banjo bolt and catch the remaining fuel using an approved gasoline container.

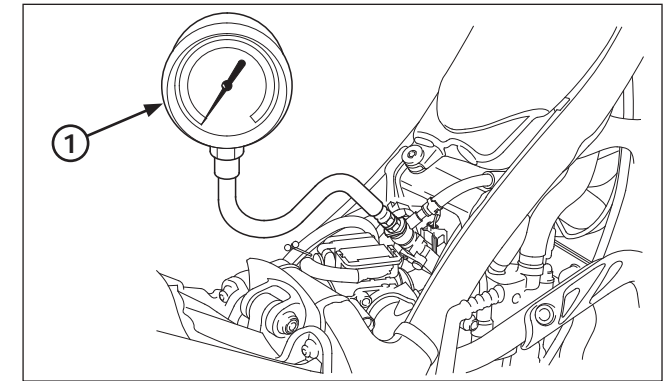


(1) MANOMETER ADAPTER, 12 MM  
(2) SEALING WASHER, 12 MM  
(3) SEALING WASHER, 6 MM  
(4) F. PRESSURE GAUGE

Remove the fuel feed hose banjo bolt and attach the fuel pressure gauge with the following Montesa Genuine parts.

- Manometer adapter, 12 mm  
part No. 90008-PP4-E02
- Sealing washer, 12 mm  
part No. 90428-PD6-003
- Sealing washer, 6 mm  
part No. 90430-PD6-003

Tool:  
Fuel pressure gauge      07406-0040003 or  
   07406-0040002



(1) FUEL PRESSURE GAUGE

Start the engine.  
Read the fuel pressure at idle speed.

**Idle Speed: 1,800 ± 100 min-1 (rpm)**  
**Standard: 230 kPa (min.) - 320 kPa (max.)**  
**(2.34 kgf/cm<sup>2</sup> - 3.26 kgf/cm<sup>2</sup>, 33 psi- 46 psi)**

If the fuel pressure is higher than specified, inspect the following:

- Fuel pump (page 4-7)

If the fuel pressure is lower than specified, inspect the following:

- Fuel line leaking
- Clogged fuel filter
- Fuel pump (page 4-7)