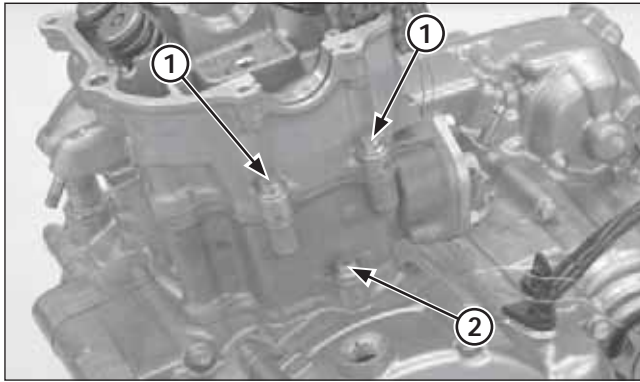
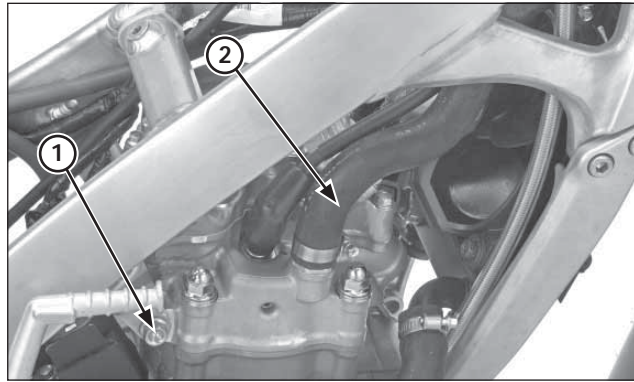


## Engine servicing



- (1) CYLINDER HEAD BOLTS  
(2) CYLINDER SEALING BOLT

Tighten the cylinder sealing bolt and cylinder head mounting bolts securely.



- (1) HANGER BOLT  
(2) RADIATOR HOSE

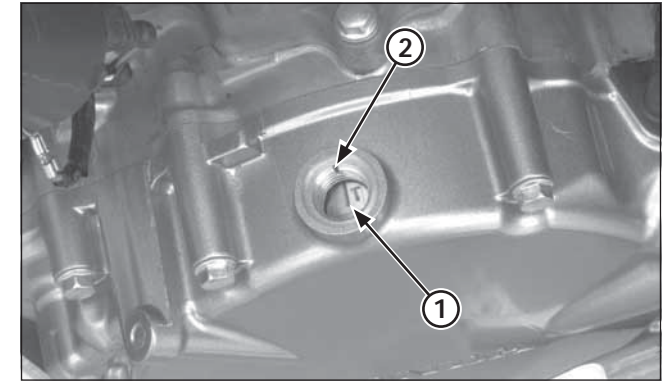
Install the upper engine hanger bolt, tighten the bolt to the specified torque.

**Torque: 24 N•m (2.4 kgf•m, 17 lbf•ft)**

Connect the radiator hose to the water joint, tighten the clamp screw securely.

- Install the following:
- Camshaft
  - Cylinder head cover
  - Throttle body/insulator
  - Exhaust pipe

Pour recommended coolant mixture and bleed air.



- (1) "T" MARK  
(2) INDEX MARK

## Camshaft/Cylinder Head Cover Installation

### Camshaft Installation

Turn the crankshaft by operating the kickstarter, align the "T" mark on the flywheel with the index mark on the left crankcase cover.