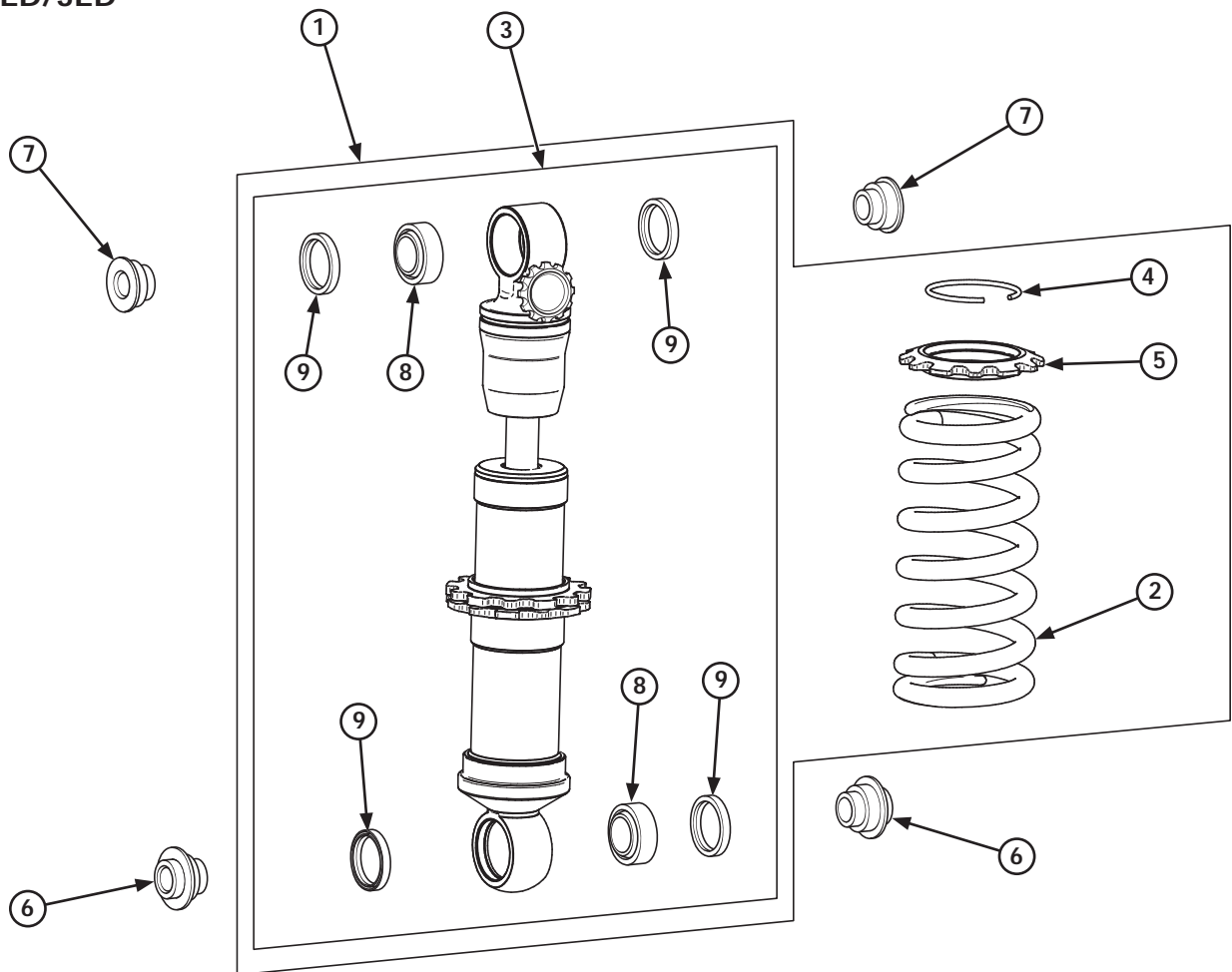


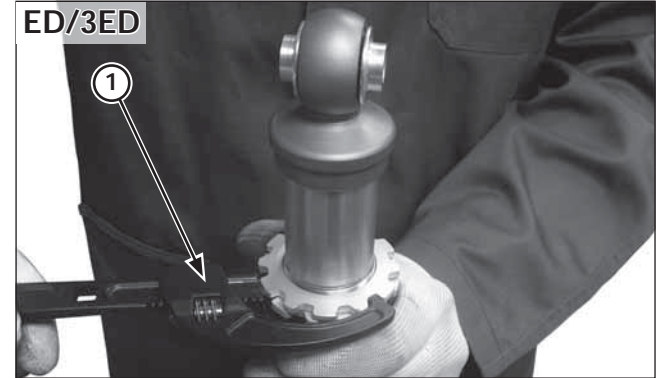
ED/3ED



- (1) DAMPER UNIT
- (2) SPRING
- (3) DAMPER
- (4) SPRING PLATE SEEGER CLIP
- (5) SPRING FASTENER PLATE

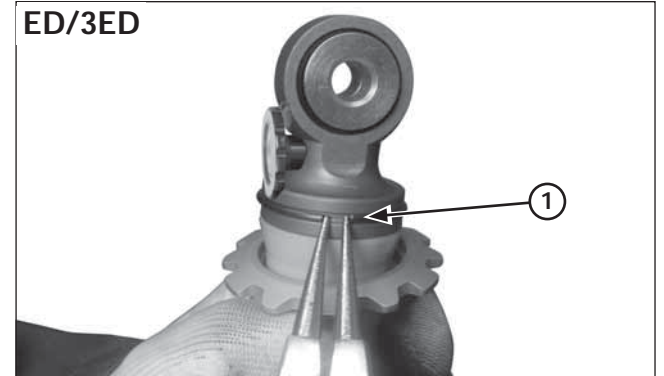
- (6) LOWER DISTANCER
- (7) UPPER DISTANCER
- (8) BALL JOINT
- (9) SEAL

ED/3ED



(1) SPANNER WRENCH

ED/3ED



(1) SEEGER

Removal (ED/3ED)

Secure the damper in a bench vise

Loosen the lock nut and the spring adjuster using the spanner wrench (07702-0020001).

Move the spring up next to the fastener plate.

Remove the Seeger fastener ring and remove the spring plate and the spring from the damper body.