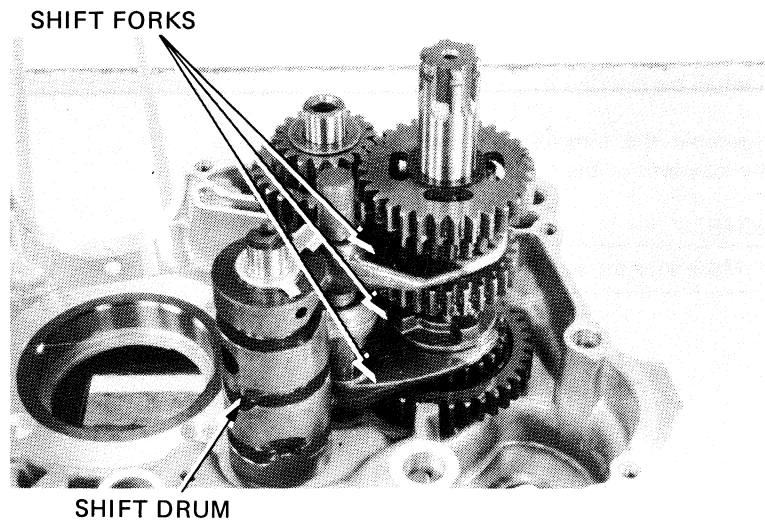


TRANSMISSION/CRANKSHAFT

Install the shift drum and shift forks.

Install the fork guide shaft.
Rotate the mainshaft by hand to be sure the gears rotate freely.



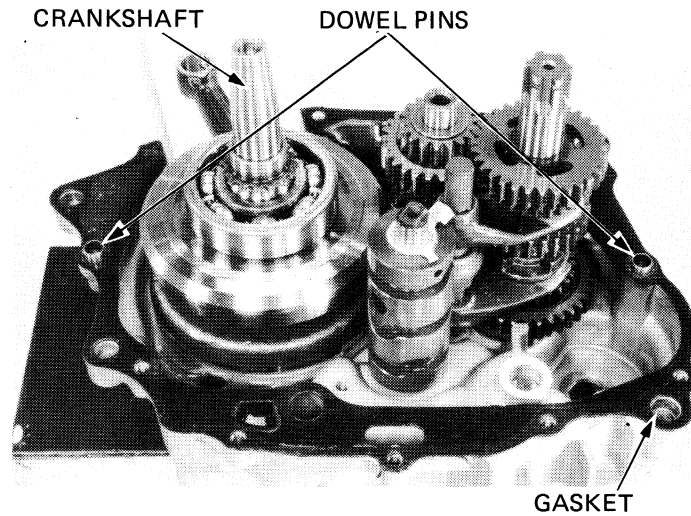
CRANKCASE ASSEMBLY

Install the crankshaft.
Install the dowel pins and a new gasket.

Install the left crankcase onto the right crankcase.

NOTE

Make sure that the gasket stays in place.



Tighten the left crankcase 6 mm bolts in a criss-cross pattern.

