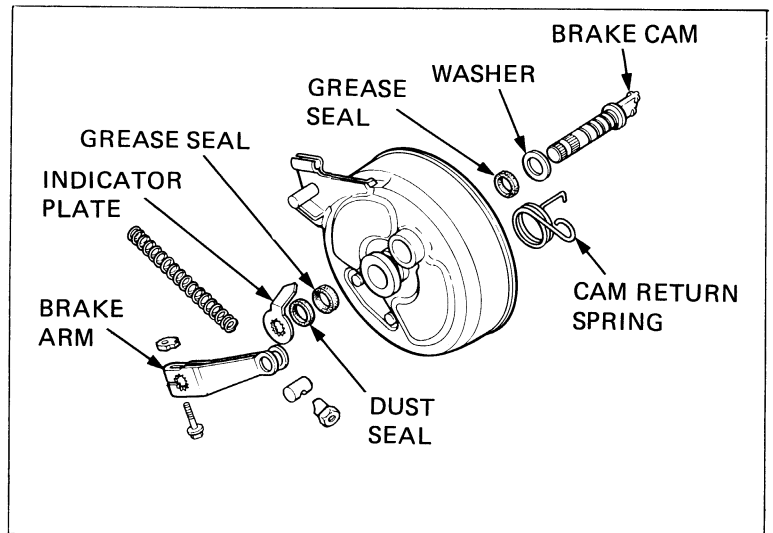


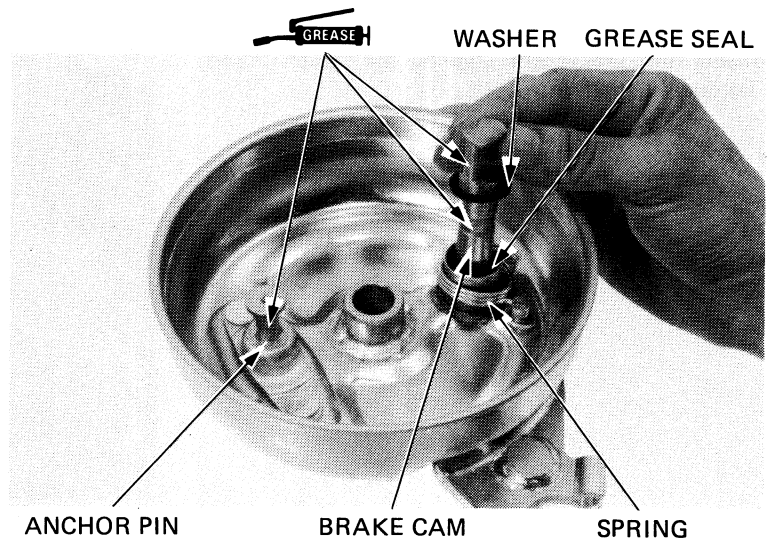
FRONT WHEEL/SUSPENSION/BRAKE/STEERING

Remove the brake arm bolt, brake arm and indicator plate.
Remove the brake cam, thrust washer, grease seals and dust seal.



BRAKE PANEL ASSEMBLY

Install new grease seals.
Install the cam return spring.
Apply grease to the brake cam and anchor pin and insert the brake cam and washer onto the brake panel.



Insert the end of the spring into the hole in the brake cam.

