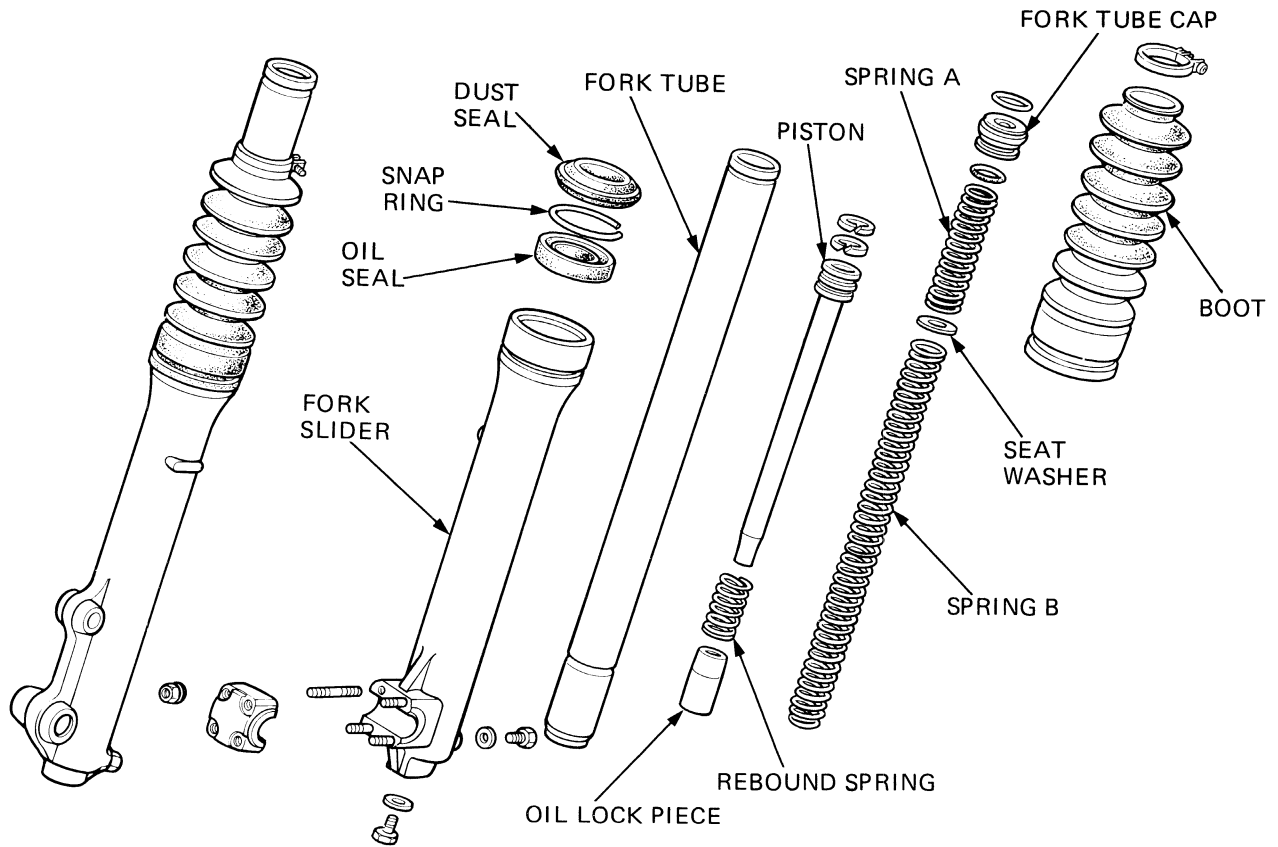


# FRONT WHEEL/SUSPENSION/BRAKE/ STEERING

## ASSEMBLY

Clean all parts with non-flammable or high flash point solvent.



Install the rebound spring and piston into the fork tube.

Place the oil lock piece on the end of the piston and insert the fork tube into the slider.

