

## REAR BRAKE

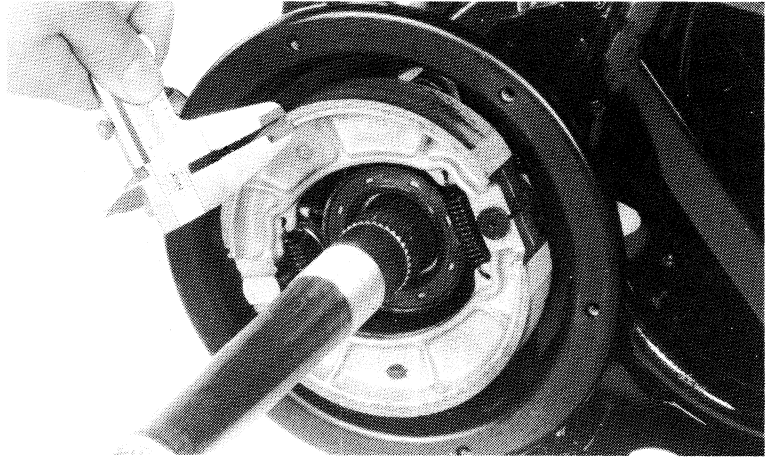
Remove the right rear wheel (Page 12–3).  
Remove the brake drum nuts, brake drum cover  
and drum (Pages 12–5 and 12–6).

### BRAKE LINING INSPECTION

Measure the brake lining thickness.

**SERVICE LIMIT: 2 mm (0.1 in)**

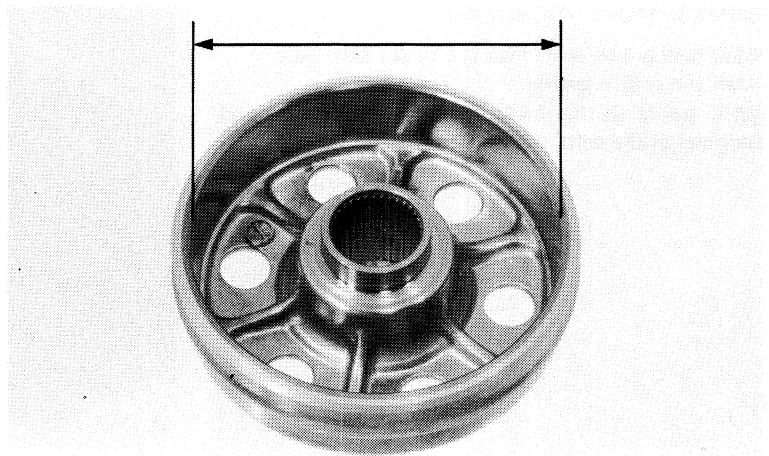
Replace the brake lining if it is thinner than the  
service limit.



### REAR BRAKE DRUM INSPECTION

Measure the brake drum I.D.

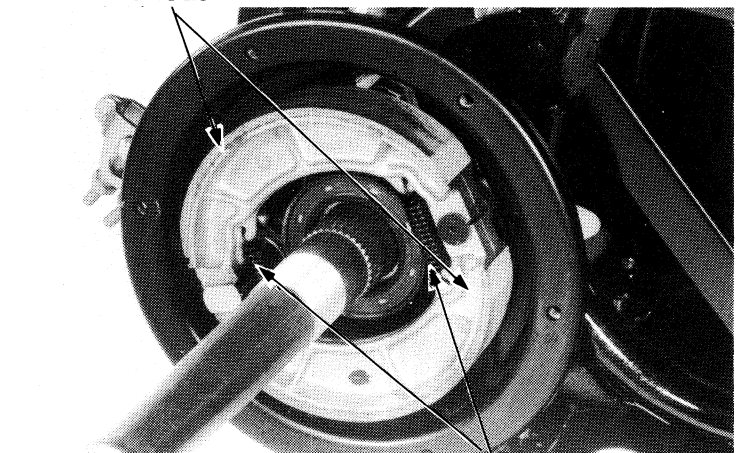
**SERVICE LIMIT: 141 mm (5.6 in)**



### REAR BRAKE DISASSEMBLY

Expand and remove the brake shoes by hand.

BRAKE SHOES



SPRING