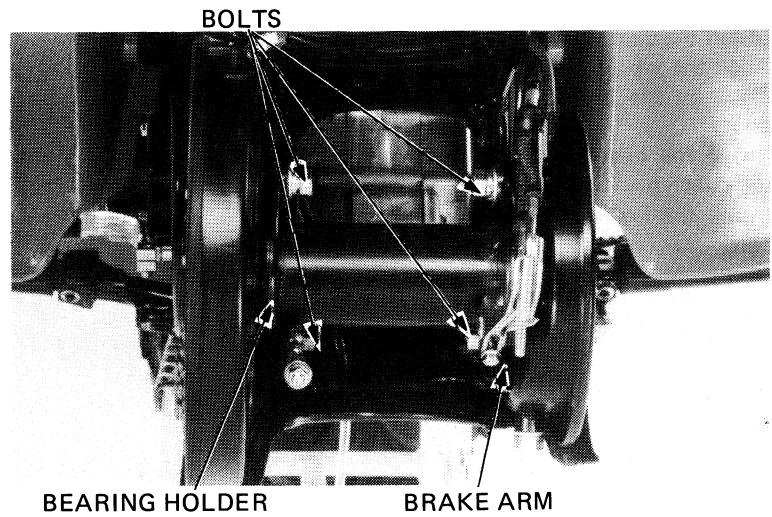


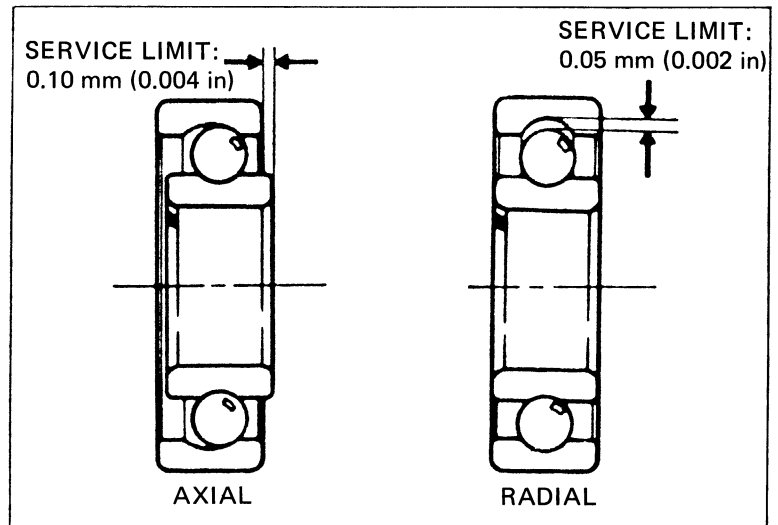
REAR WHEEL/BRAKE/DRIVE MECHANISM

Remove the rear brake adjusting nuts and disconnect the brake cables from the brake arm. Remove the four bearing holder mounting bolts and the bearing holder from the frame.



REAR WHEEL BEARING INSPECTION

Check the rear wheel bearings. Replace the bearings if they are noisy or have excessive play.



DISASSEMBLY

Remove the dust seals and drive out the bearings. Remove the center collar.

