

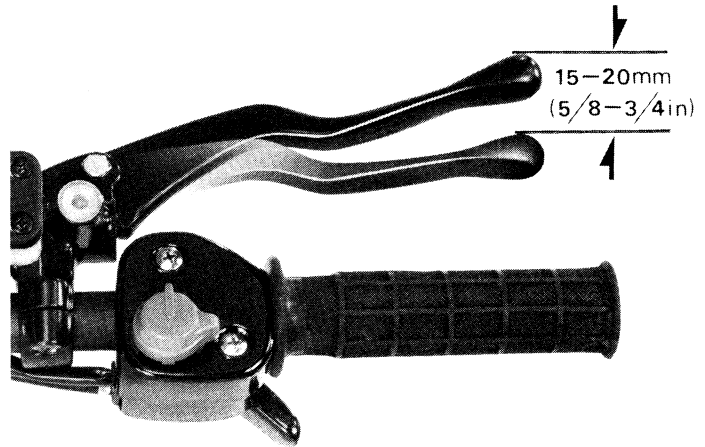
FRONT BRAKE

BRAKE LEVER FREE PLAY

Measure the brake lever free play.

FREE PLAY: 15–20 mm (5/8–3/4 in)

If free play is excessive, refer to page 11–2.



BRAKE FLUID INSPECTION

Check that the brake fluid reservoir is filled to the upper level mark on the reservoir.

If the level is lower than the upper level mark, fill the reservoir with DOT-3 brake fluid up to the level mark.

Check the entire system for leaks, if the level is low.

CAUTION:

Do not mix different types of fluid in the reservoir. Mixing different types may not provide optimum braking performance.

UPPER LEVEL MARK



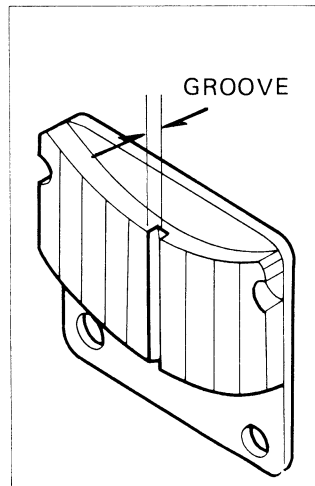
BRAKE PAD WEAR

Check each brake pad for wear.

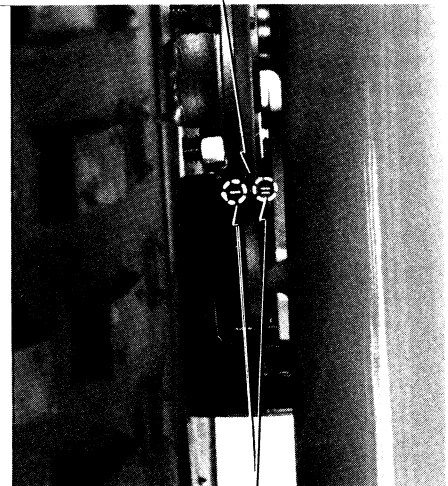
SERVICE LIMIT: If either pad wears to the bottom of the groove, both pads must be replaced.

NOTE

Always replace the brake pads in pairs to assure even disc pressure.



DISC



PADS