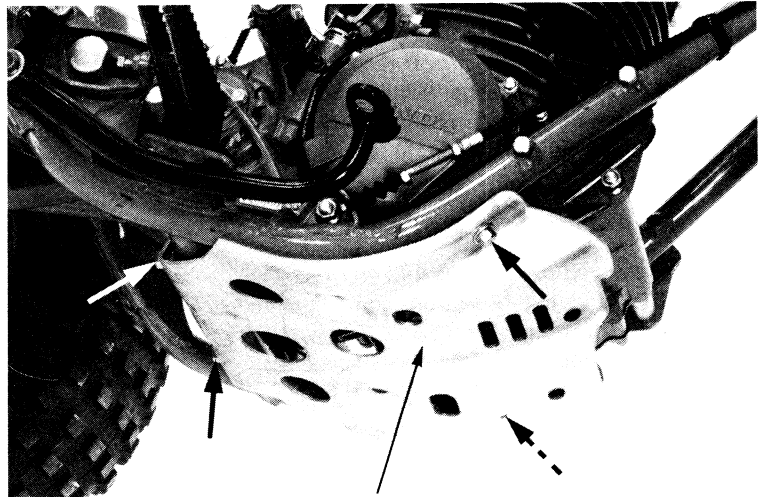


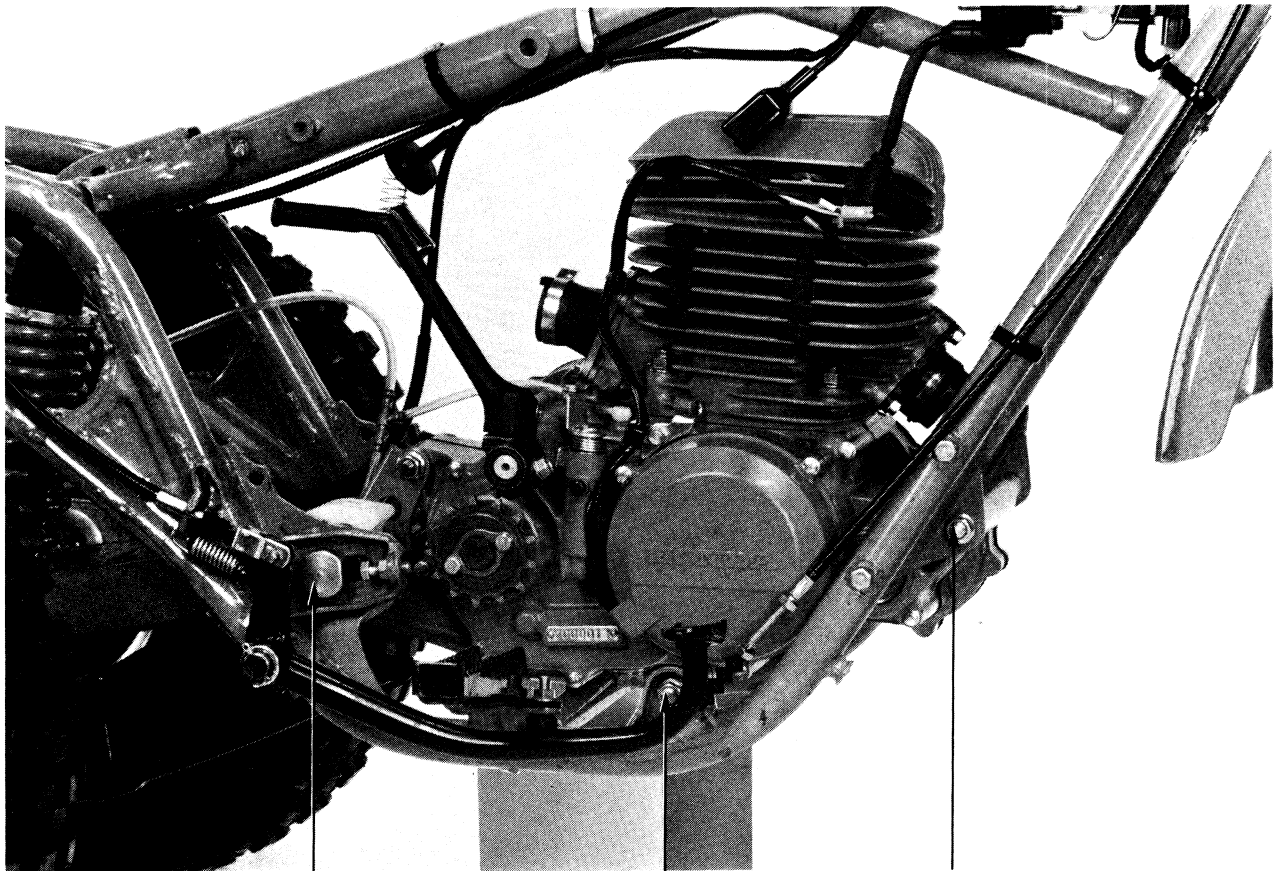


Remove the skid plate



SKID PLATE

Place a padded block under the engine and remove the engine hanger bolts (1) and (2) and swingarm pivot bolt.



SWINGARM
PIVOT BOLT

(2)

(1)