

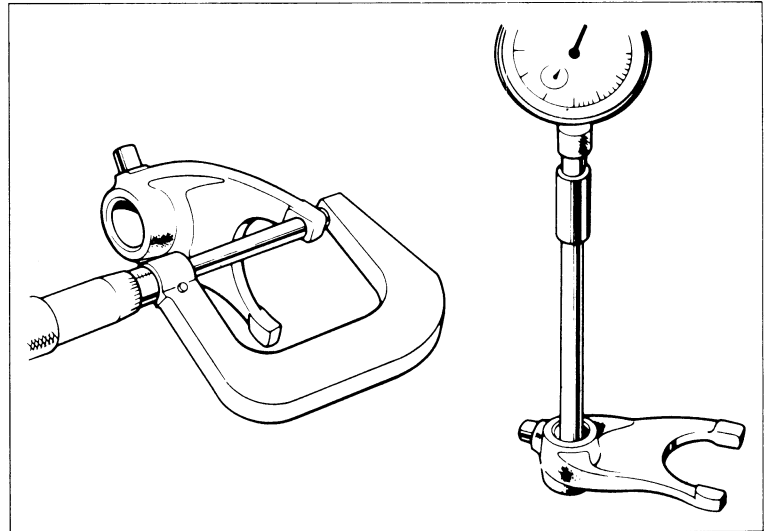


SHIFTFORK/SHIFT FORK SHAFT/ SHIFT DRUM INSPECTION

Check each shift fork for wear, bending or any other damage. Measure the I.D. and shift claw thickness.

SERVICE LIMITS:

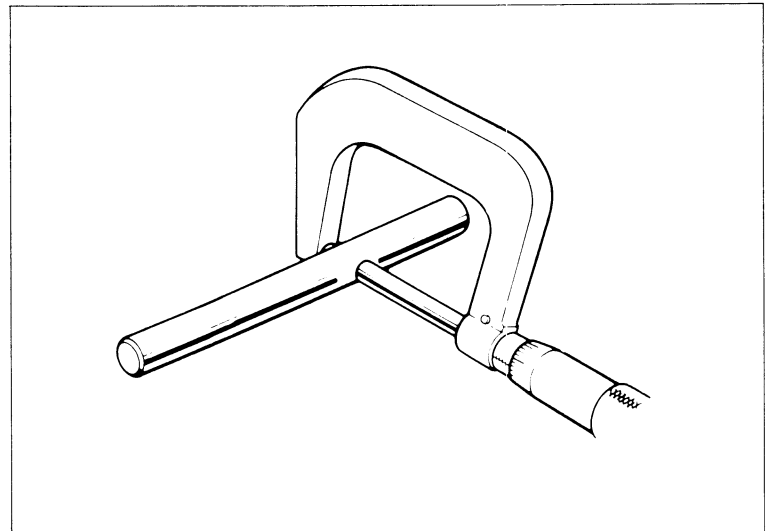
Claw thickness: 5.30mm (0.209 in)
I.D.: 12.050 mm (0.474 in)



Check the shift fork shaft for wear, damage or bending.

Measure the O.D.

SERVICE LIMIT: 11.950 mm (0.470 in)



Inspect the shift drum grooves and replace the drum if they are damaged or show excessive wear.

Measure the shift drum O.D.

SERVICE LIMITS: 11.93 mm (0.4697 in)

NOTE

If the shift drum bearing is worn or damaged, the shift drum must be replaced as an assembly.

