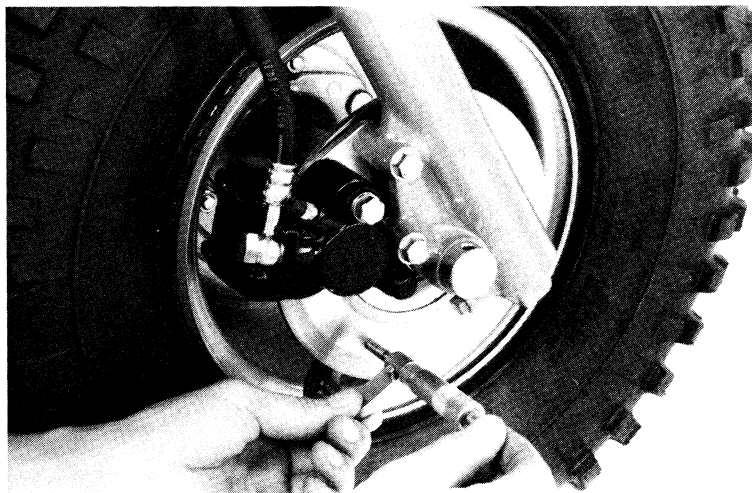


BRAKE DISC INSPECTION

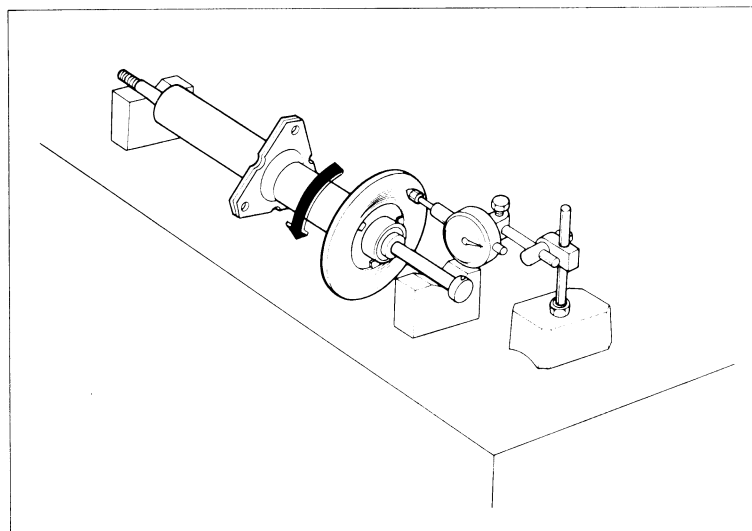
Measure the brake disc thickness.

SERVICE LIMIT: 3.0 mm (0.118 in)



Measure the brake disc warpage.

SERVICE LIMIT: 0.3 mm (0.012 in)



BRAKE CALIPER

BRAKE CALIPER REMOVAL

Remove the brake caliper (Page 11-3).
Remove the brake pads (Page 11-3).

