



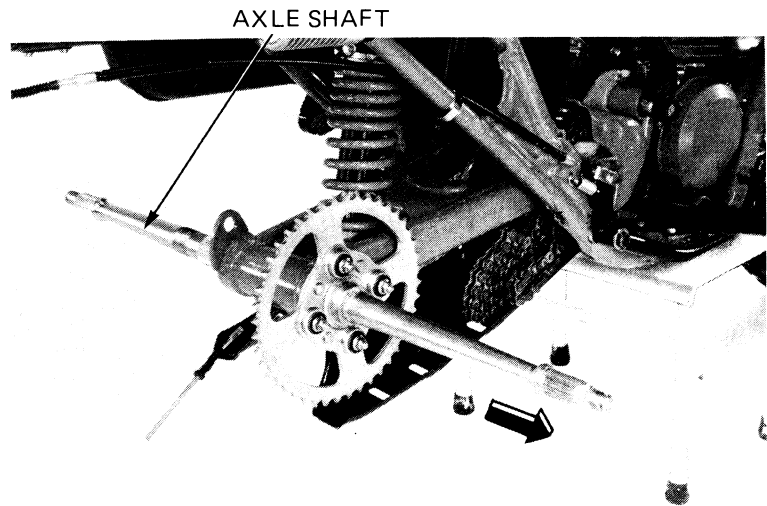
## REAR AXLE

### REMOVAL

Remove the rear brake panel (Page 12-4).

Remove the final driven sprocket (Page 12-10).

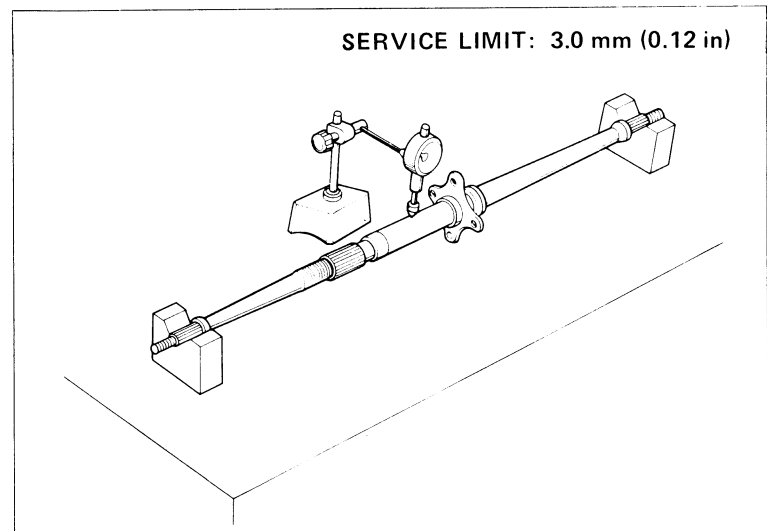
Withdraw the axle shaft towards the right.



### INSPECTION

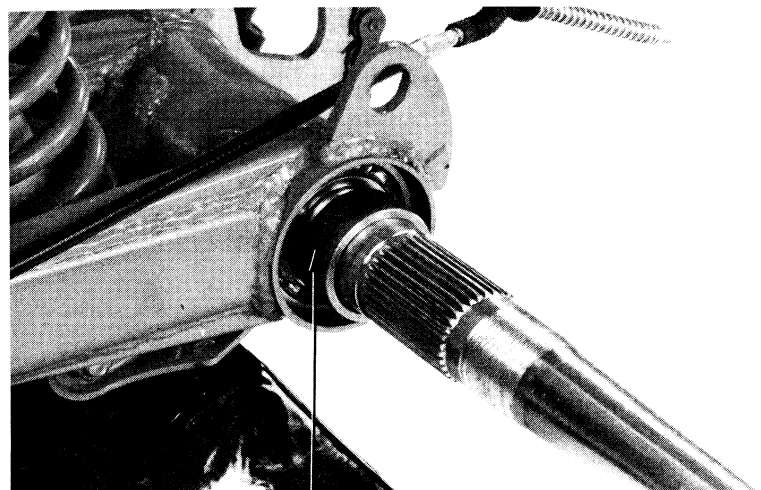
Place the rear axle in V-blocks and measure the runout.

The actual runout is 1/2 of the total indicator reading.



### INSTALLATION

Slide the axle through the swingarm.  
Install the final driven sprocket (Page 12-11).  
Install the brake panel collar on the axle.  
Install the rear brake panel (Page 12-8).



BRAKE PANEL COLLAR