



REAR FENDER
EXHAUST SYSTEM

14 - 1

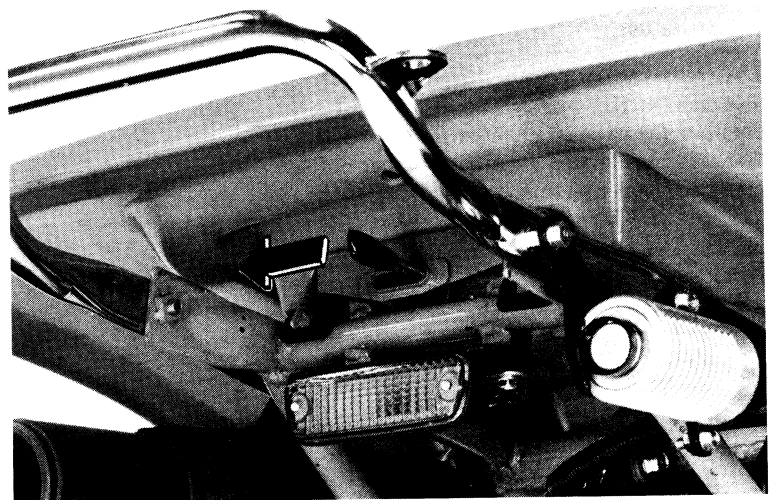
14 - 2

REAR FENDER

REMOVAL

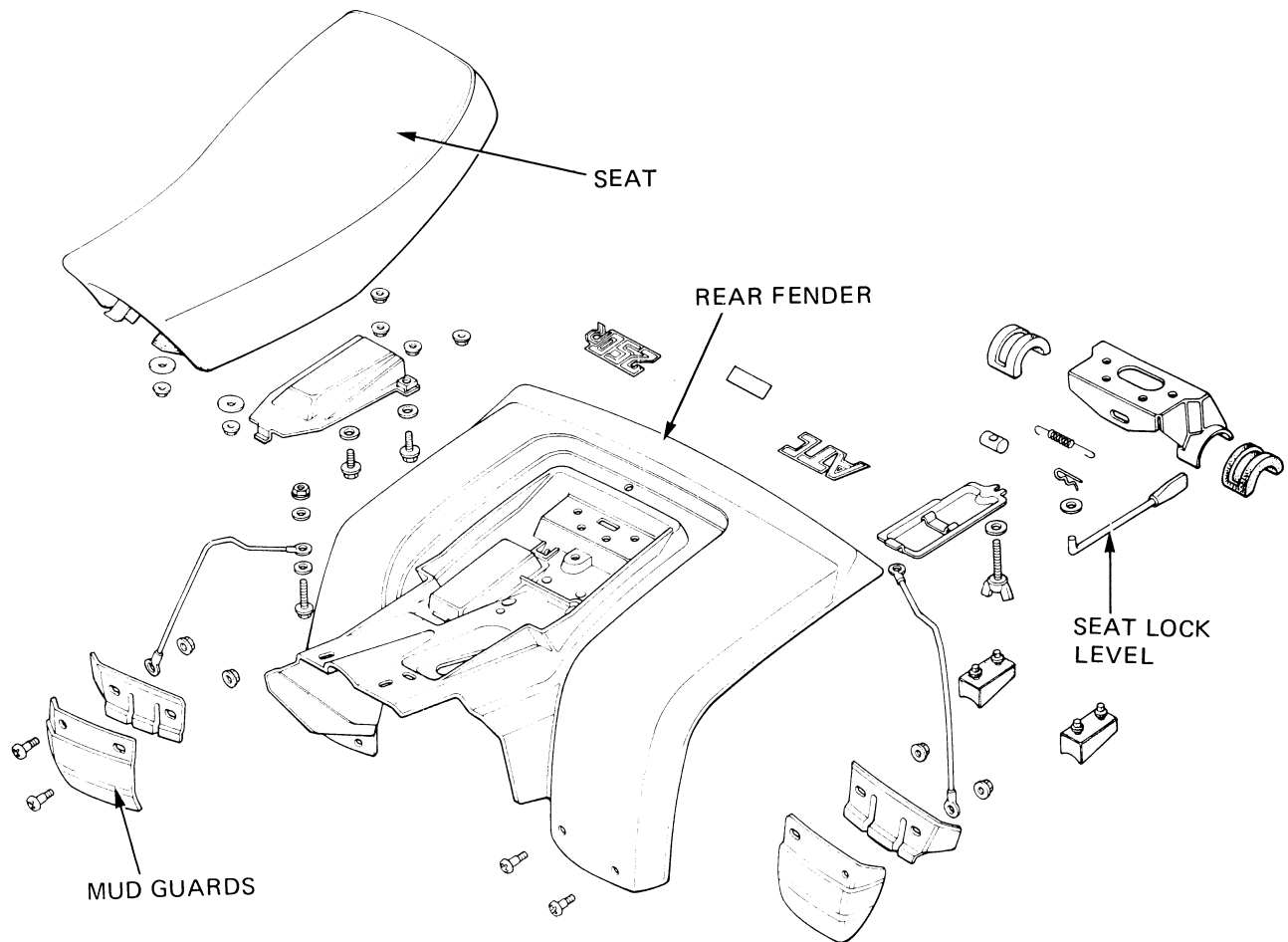
Release the seat lock by moving the lever in the direction shown on the lever.

Remove the seat and mud guards.



INSTALLATION

The installation sequence is the reverse order of removal.



14