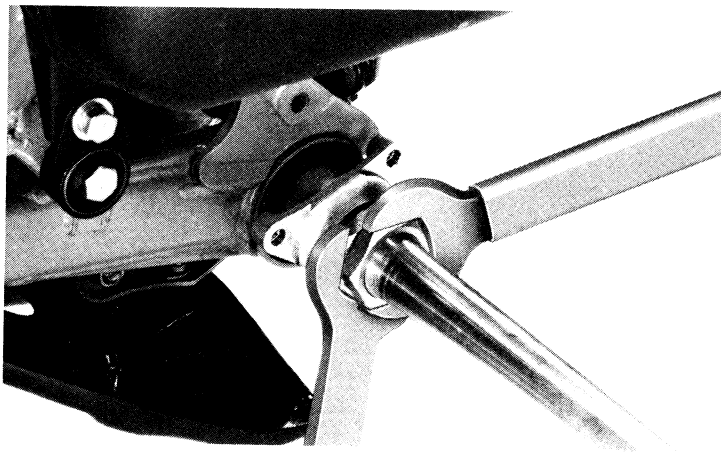


Remove the rear axle nuts.

Remove the tongued washer and rear brake disc holder.

Withdraw the axle shaft towards the right.

LOCK NUT WRENCH 41mm
07916-9180000 OR COMMERCIALY AVAILABLE

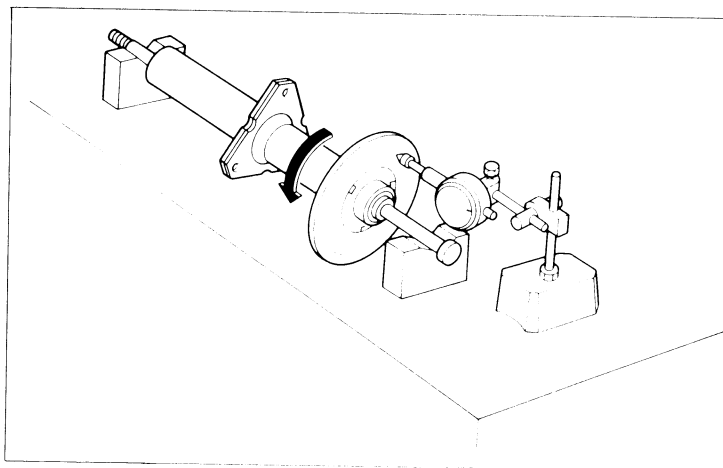


INSPECTION

Place the rear axle in V-blocks and measure the runout.

The actual runout is 1/2 of the total indicator reading.

SERVICE LIMIT: 0.30 mm (0.012 in)



INSTALLATION

Slide the axle through the swingarm.

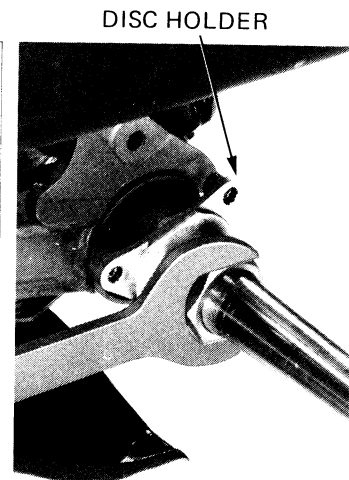
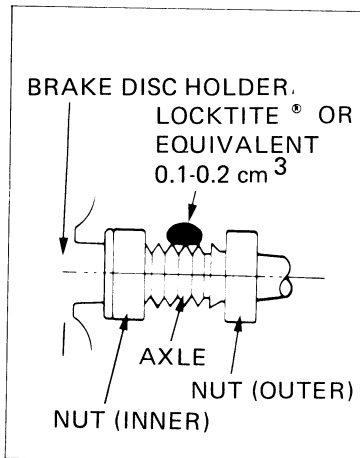
Install the rear brake disc holder and tongued washer.

Install the axle inner nut and tighten to the specified torque.

**TORQUE: 35-45 N·m (3.5-4.5 kg·m,
25-33 ft·lb)**

Clean any grease or dirt off the axle threads and apply LOCKTITE® or equivalent to the threads.

Hold the inner nut with a 41 mm wrench and tighten the outer nut, also with a 41 mm wrench.



LOCK NUT WRENCH 41 mm
07916-9180000 OR COMMERCIALY AVAILABLE