

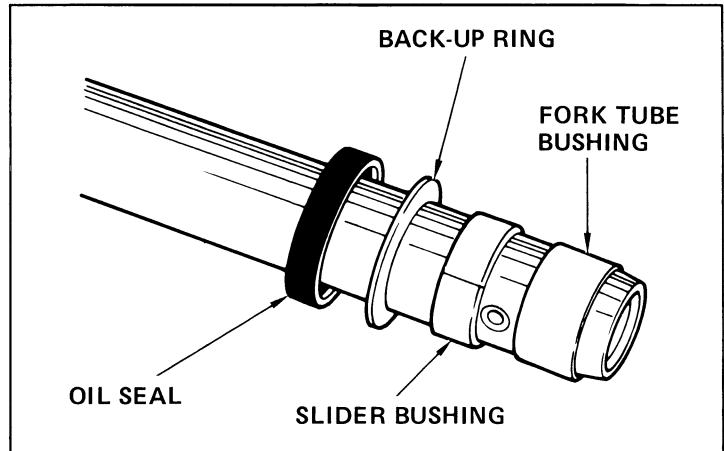
**'83 ATC250R ADDENDUM**

Remove the oil seal, back-up ring and slider bushing from the fork tube.

**NOTE:**

Do not remove the fork tube bushing unless it is necessary to replace it with a new one. See inspection.

Remove the oil lock piece from the slider and the piston from the fork tube.



**INSPECTION**

**FORK SPRING**

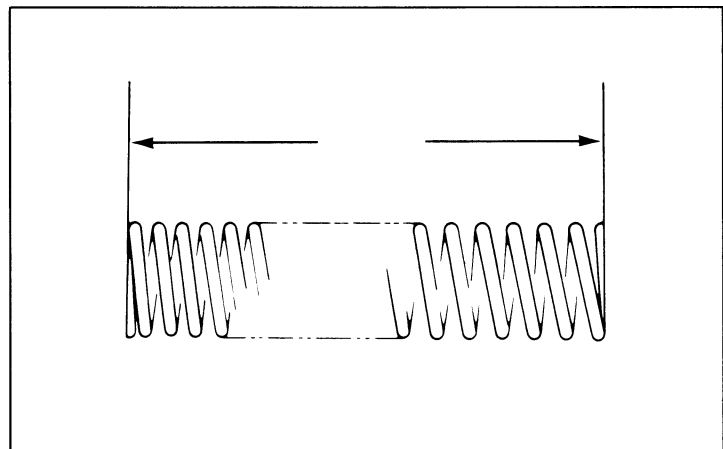
Measure the free length of the fork springs.

Replace the springs if they are shorter than the service limit.

**SERVICE LIMIT:**

Spring A: 122.6 mm (4.8 in)

Spring B: 452.9 mm (17.8 in)



**BUSHING/BACK-UP RING**

Visually inspect the slider and fork tube bushing. Replace the bushing if there is excessive scoring or scratching, or if the teflon is worn so that the copper surface appears on more than 3/4 of the entire surface.

Check the back-up ring at the points shown. Replace it if there is distortion at any of the points shown.

