



'83 ATC250R ADDENDUM

Check the steering stem bearing for damage or wear.

Remove the bearing from the steering stem if it is damaged or worn.

NOTE:

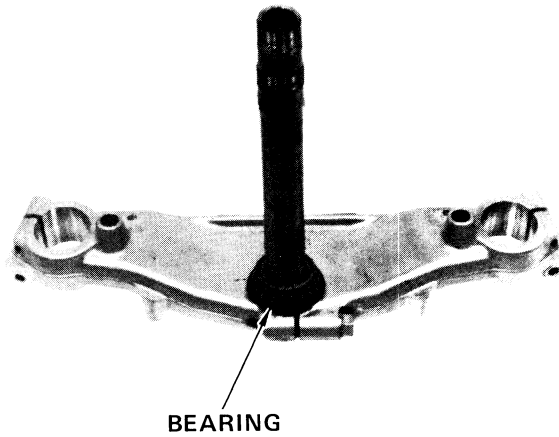
Replace the bearings and bearing races as a set.

Remove the bearing from the frame head pipe with the race remover 07953-4250002.

Install new bearing races into the head pipe with these tools:

Driver, 07749-0010000

Attachment, 42 x 47 mm, 07746-0010300



INSTALLATION

