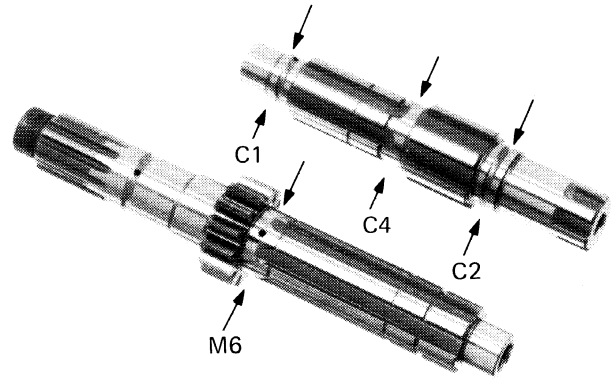


Measure the O.D. of the mainshaft and counter-shaft.

SERVICE LIMIT:

M6	24.94 mm (0.982 in)
C1	18.94 mm (0.746 in)
C2	23.94 mm (0.943 in)
C4	24.94 mm (0.982 in)



INSTALLATION

Assemble the transmission gears and shafts.

