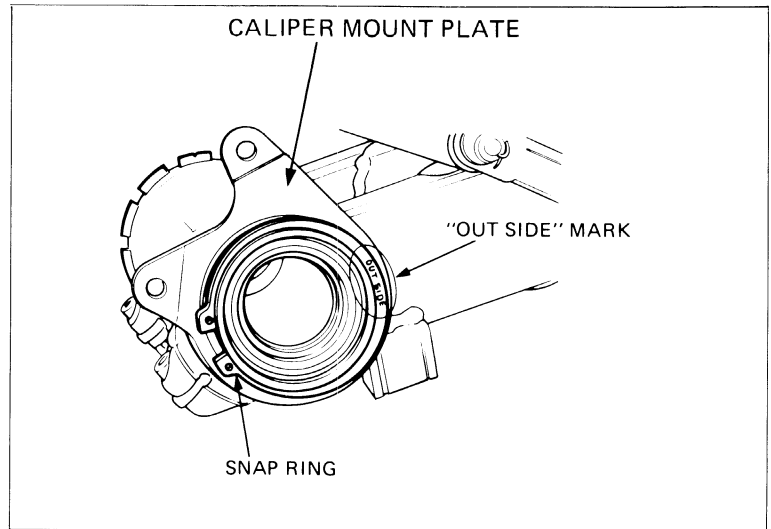


REAR WHEEL/DRIVE MECHANISM

Install the caliper mount plate.
Install the snap ring with its "OUT SIDE" mark facing out and with its ends positioned as shown.
Install the rear axle (Page 11-7).
Install the rear wheels (Page 11-3).
Adjust the drive chain (Page 2-10).

'85:



AFTER '85:

