

TIRES

Check the tire for cuts, imbedded nails, or other damage.

Measure the groove depth of tires at the center as shown. Operating the vehicle with excessively worn tires will decrease traction and cause skidding.

WARNING

Replace tires before tread depth at the center of the tires reaches the following limit.

Minimum tread depth: 4 mm (0.16 in)

NOTE:

Tire pressure should be checked when the tires are COLD.

Check the tire pressures.

TIRE PRESSURES:

Recommended pressure:

'85, '86: 2.5 psi (17 kPa, 0.17 kg/cm²)

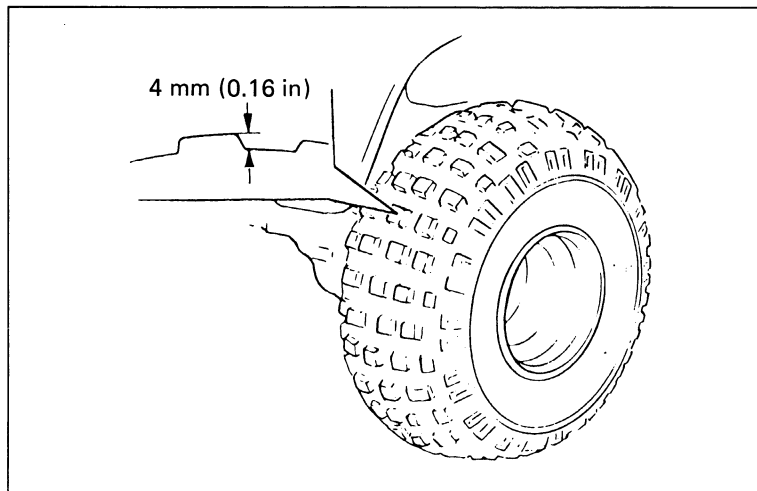
After '86: 2.5 psi (17.5 kPa, 0.175 kg/cm²)

STANDARD TIRE CIRCUMFERENCE

('85, '86 only): 1,775 mm (69.9 in)

NOTE:

Raise the wheels off the ground when measuring the tire circumferences.



'85, '86:



STEERING HEAD BEARINGS

NOTE:

Make sure the cables do not interfere with the rotation of the handlebar.

Raise the front wheel off the ground and make sure that the handlebar rotates freely.

If the handlebar moves unevenly, binds or has vertical movement, adjust the steering head bearing by turning the steering head adjusting nut.

