

CLUTCH/OIL PUMP/KICK STARTER

BEARING REPLACEMENT

Remove the bearings from the right crankcase cover with the special tools.

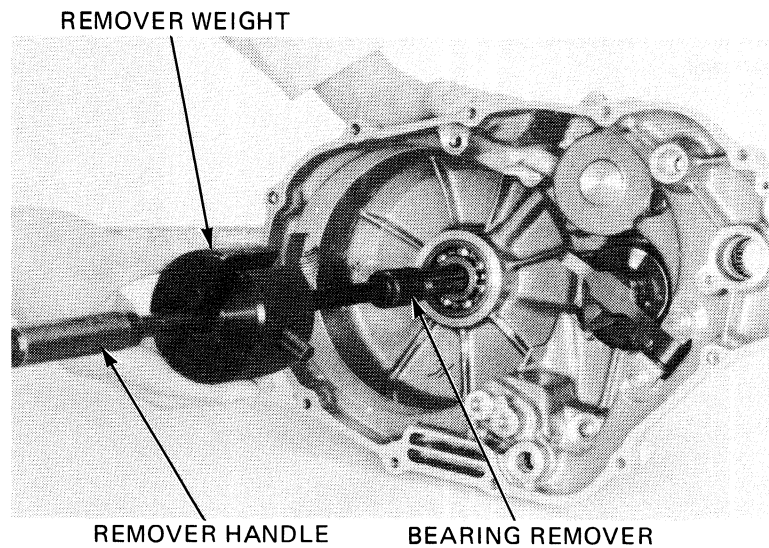
Crankshaft bearing

- Remover handle 07936-3710100
- Remover weight 07936-3710200 or 07741-0010201

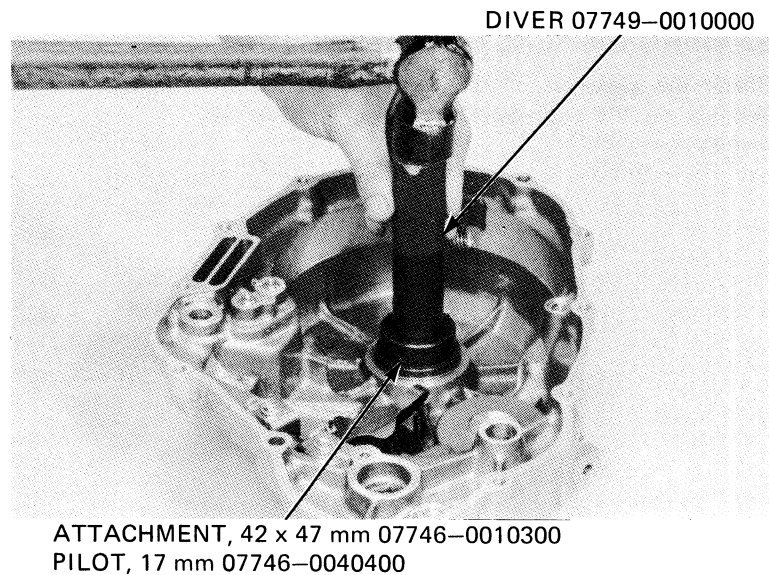
- Bearing remover, 17 mm 07936-3710300

Kickshaft bearing

- Remover handle 07936-3710100
- Remover weight 07936-3710200 or 07741-0010201
- Bearing remover, 20 mm 07936-3710600



Drive a new crankshaft bearing into the cover using the special tools.



Drive a new kickshaft bearing into the cover using the special tools.

