

INSPECTION

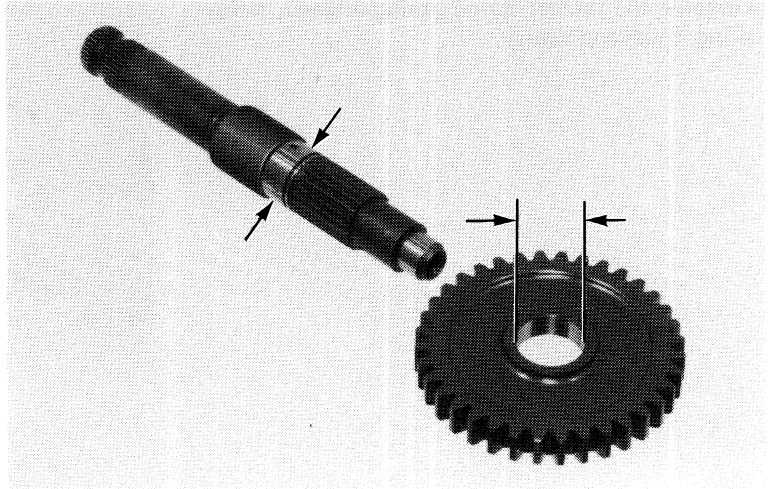
Measure the kick starter spindle O.D.

SERVICE LIMIT: 21.90 mm (0.862 in)

Measure the kick starter pinion I.D.

SERVICE LIMIT: 22.10 mm (0.870 in)

Inspect the pinion for damaged ratchet teeth.



Measure the kick starter idler gear I.D.

SERVICE LIMIT: 23.07 mm (0.908 in)

Measure the kick starter idler gear bushing I.D.

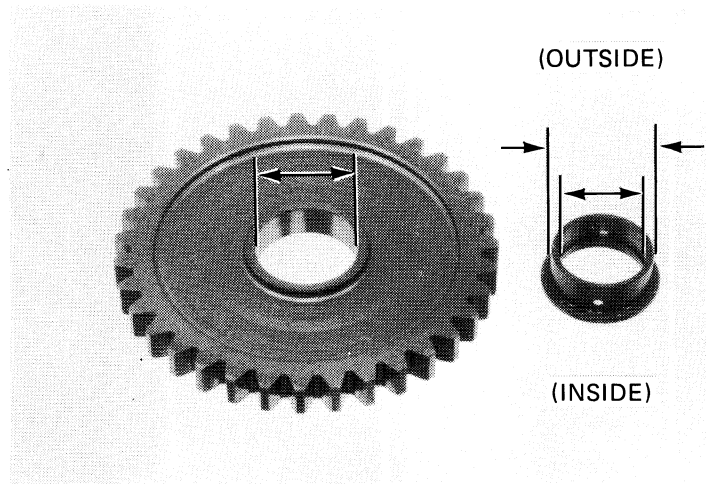
SERVICE LIMIT: 20.05 mm (0.789 in)

Measure the kick starter idler gear bushing O.D.

SERVICE LIMIT: 22.93 mm (0.903 in)

Measure the countershaft O.D.

SERVICE LIMIT: 19.95 mm (0.785 in)



INSTALLATION

Install the inner thrust washer and pinion gear on the kick starter spindle.

Install the outer thrust washer and circlip.

Install the starter ratchet on the spindle while aligning their punch marks.

