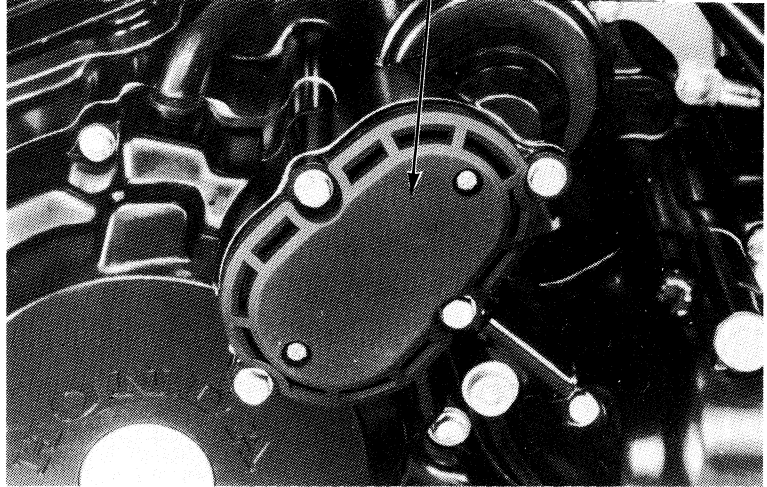


## STARTER REDUCTION GEAR

### REMOVAL

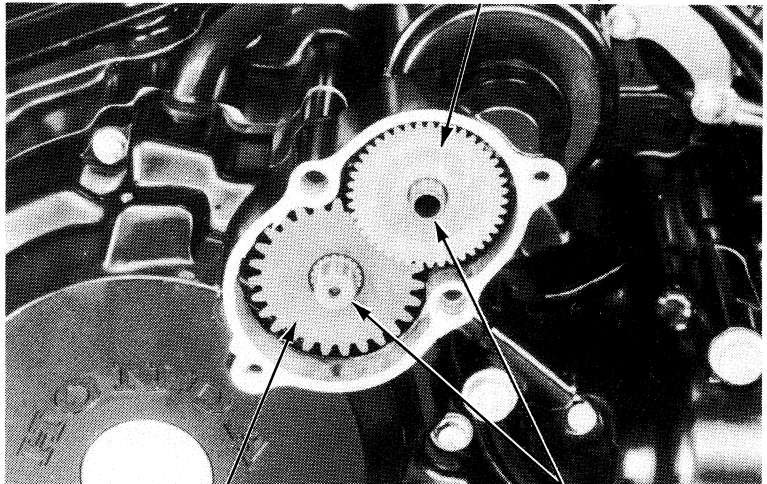
Remove the starter reduction gear cover bolts, cover gasket and dowel pins.

STARTER REDUCTION GEAR COVER



Remove the reduction gear A/B and shaft, starter reduction gear B and shaft.

REDUCTION GEAR A/B



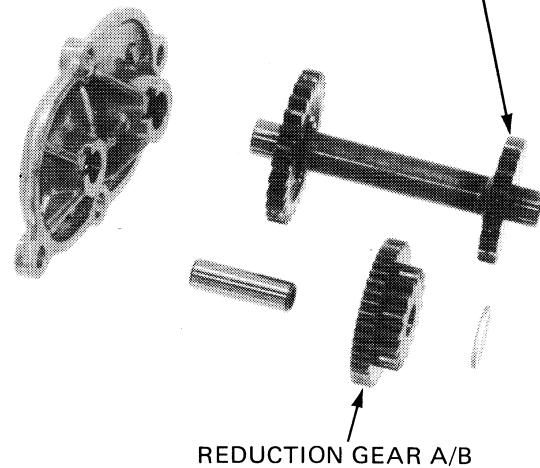
REDUCTION GEAR C

SHAFTS

### INSPECTION

Inspect the starter reduction gear teeth for wear or damage.

REDUCTION GEAR C



REDUCTION GEAR A/B