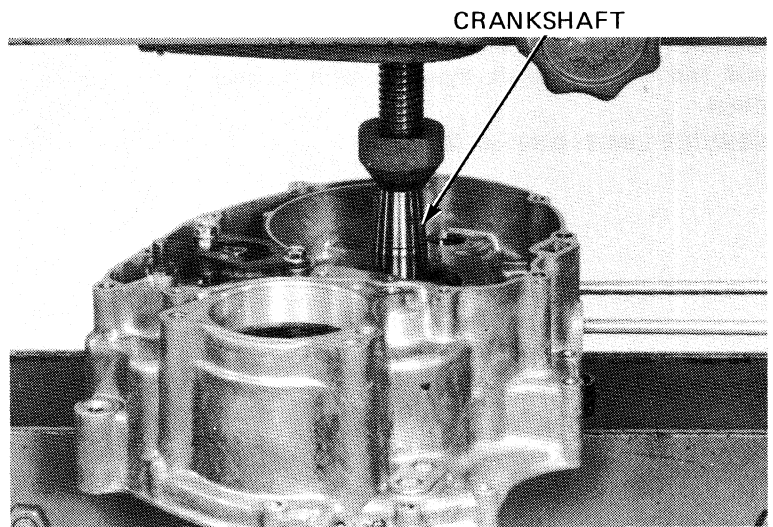


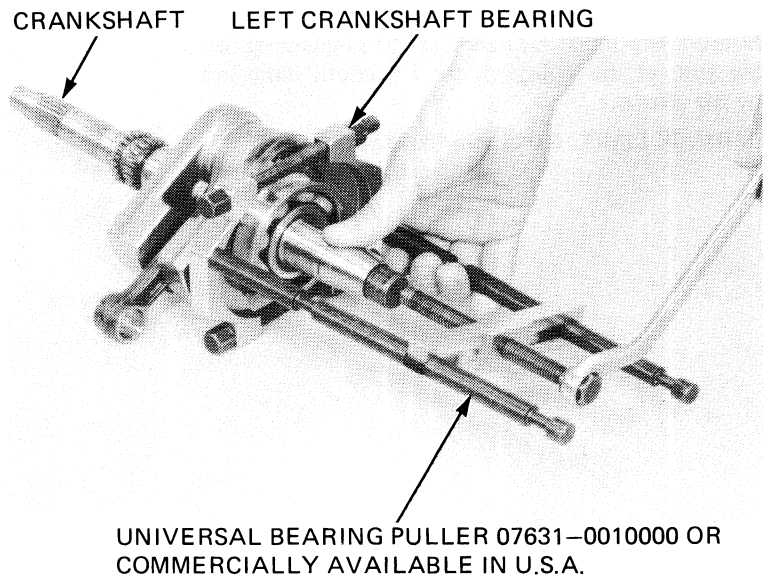
Disassemble the transmission (Page 10-8).  
Remove the crankshaft from the left crankcase using a hydraulic press.



If the left crankshaft bearing remains on the crankshaft, remove it with a bearing puller.  
If the left crankshaft bearing remains in the left crankcase, remove it with a driver 07749-0010000 and attachment, 42 x 47 mm 07746-0010300.  
Discard the left crankshaft bearing.

### NOTE

Always replace the left bearing with a new one whenever the crankshaft is removed from the left crankcase.



### INSPECTION

Set the crankshaft on a standard or V-blocks and read the runout using dial indicators.

**SERVICE LIMIT: 0.05 mm (0.002 in)**

