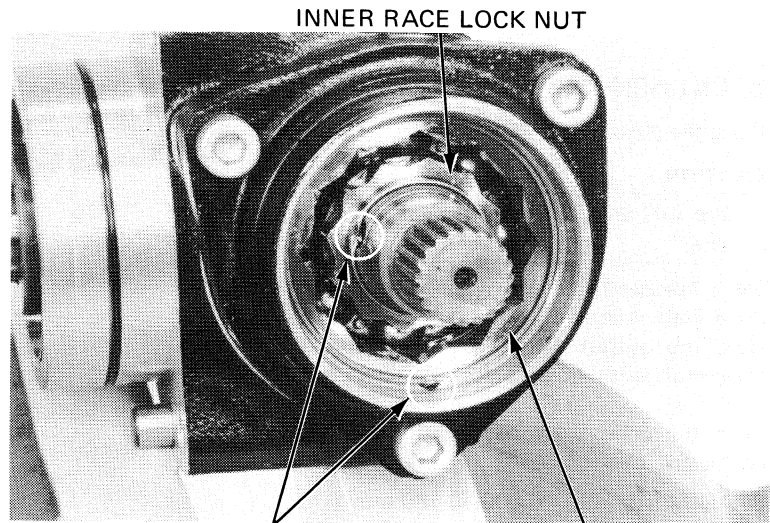
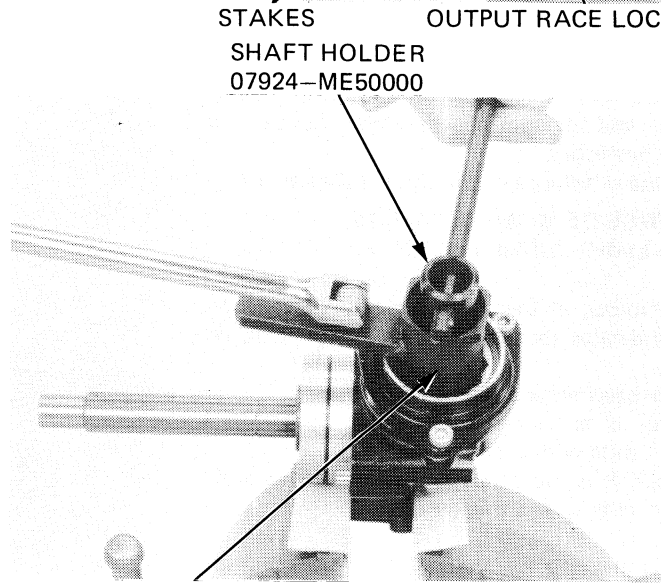


CRANKCASE/CRANKSHAFT/TRANSMISSION

Remove the inner race lock nut and discard it.



Unstake the driven gear bearing race lock nuts with a drill or grinder. Be careful that metal particles do not enter the bearing and the threads on the shaft are not damaged.



Remove the outer race lock nut and lock washer.
Discard the outer race lock nut.

