

## CRANKCASE/CRANKSHAFT/TRANSMISSION

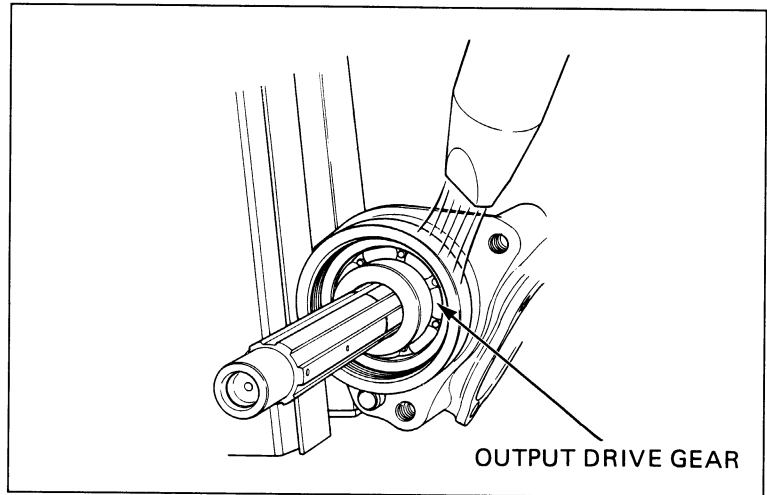
---

Heat the output gear case around the drive shaft bearing to 80°C (176°F).

### CAUTION

*Always wear gloves when handling a heated gear case.*

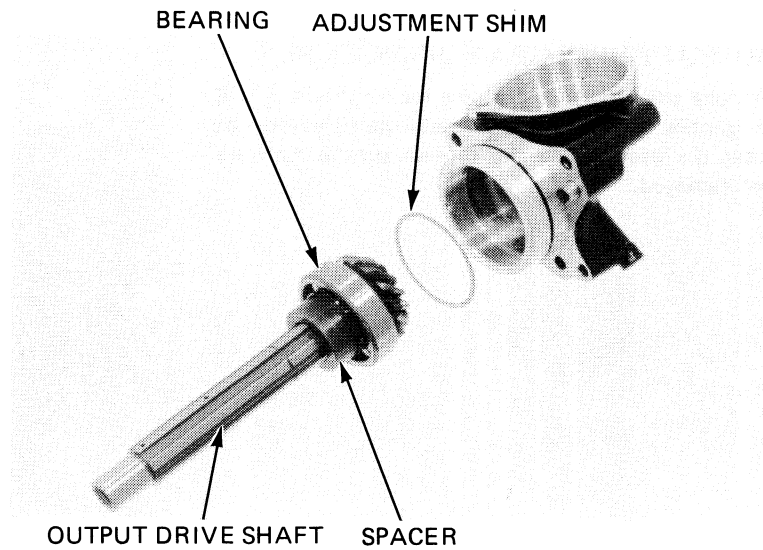
Remove the output drive gear.



Remove the adjustment shim.

### NOTE

Do not try to remove the driveshaft spacer and bearing.



Clean the output gear case in solvent and blow open the oil passage with compressed air.

