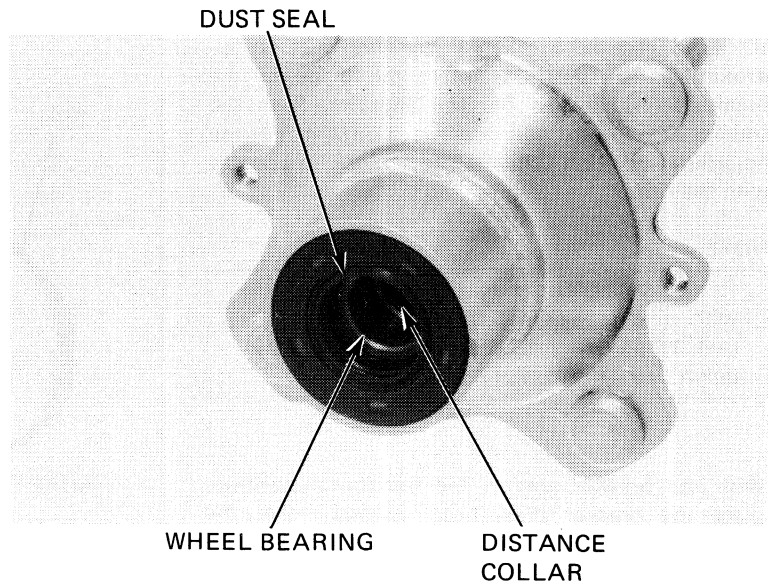


Remove the dust seals, wheel bearings and distance collar from the wheel hub.



TIRE REMOVAL (U.S.A. ONLY)

NOTE:

- This service requires the Universal Bead Breaker (GN-AH-958-BB1) available in U.S.A. only.
- Always remove and reinstall the tire from the rim from the side opposite the valve stem.

Remove the core from the valve stem.

CAUTION

- *Use of the Bead Breaker tool is required for tire removal.*
- *Do not damage the bead seating area of the rim.*
- *Use a Coats 220 Tire Changer or equivalent to remove the tire from the rim. If a tire changer is not available, rim protectors and tire irons may be used.*

Install the blade for 9"/11" rims onto the breaker arm assembly.

CAUTION

- *Use of an improper size blade may result in damage to the rim, tire or blade.*

Place the proper size adapter onto the threaded shaft and then put the wheel over the threaded shaft and adapter.

Lube the bead area with rubber lubricant, pressing down on the tire sidewall/bead area in several places, to allow the lubricant to run into and around the bead. Also lube the area where the breaker arm will contact the sidewall of the tire.

