

TIRE REMOVAL (EXCEPT U.S.A.)

NOTE

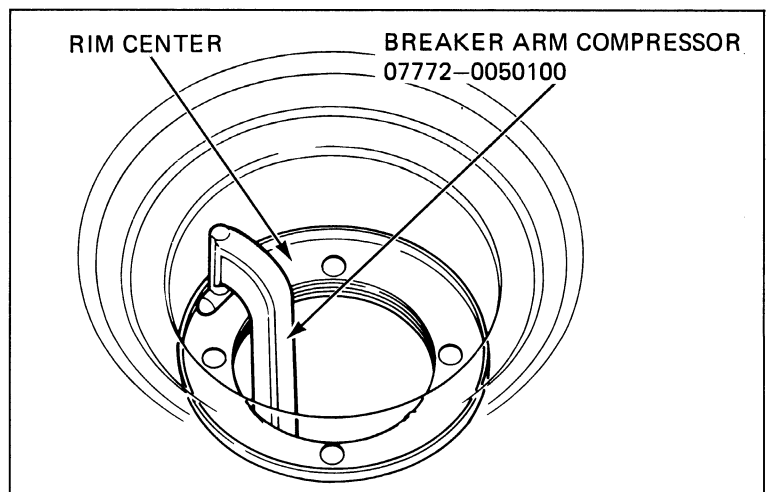
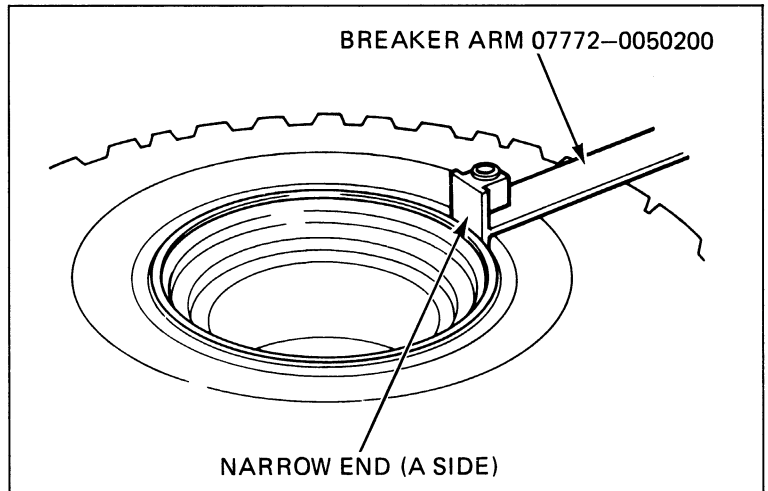
This service requires the Tire Bead Breaker Set (07772-0050000) not available in U.S.A.

CAUTION

- Do not apply water, soap water, oil etc. to the tire, rim and tool when removing the tire. The tool breaker arm may slip off the tire and the bead can not be broken off the tire.
- Do not damage the bead seating area of the rim.
- Follow the breaker manufacturer's instructions.

Insert the narrow end (A side) of the breaker arm between the tire and the rim.

Position the breaker arm compressor onto the rim center as shown.



Keep the breaker arm horizontally and align the end of the compressor bolt with the arm hole.

