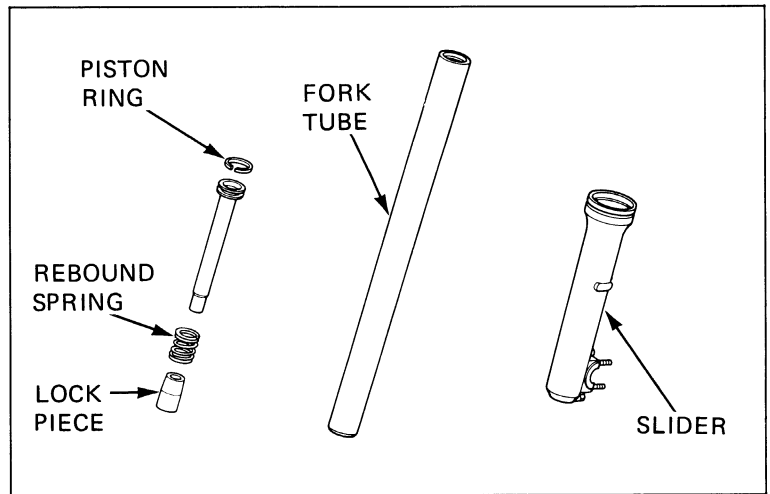


FORK TUBE/FORK SLIDER/PISTON

Check the fork tube, fork slider and piston for score marks, scratches, or excessive or abnormal wear. Replace any components which are worn or damaged.

Check the fork piston ring for wear or damage.
Check the rebound spring for fatigue or damage.



ASSEMBLY

Before assembly, wash all parts with a high flash point or non-flammable solvent and wipe them off completely.

