

## MAINTENANCE

### AIR CLEANER

Remove the seat/rear fender.

Release the four clips retaining the air cleaner cover.  
Remove the air cleaner cover.

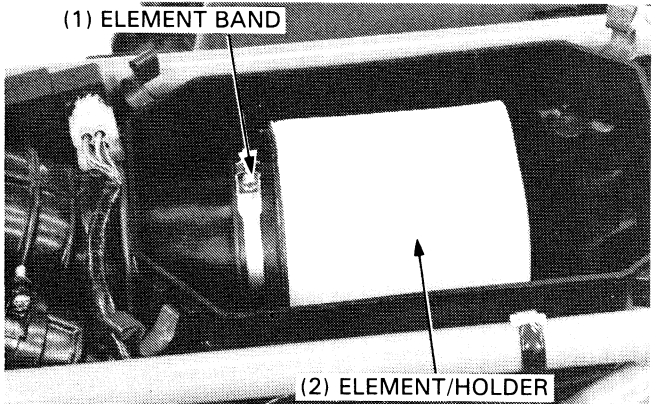
(1) AIR CLEANER COVER



Remove the element band and remove the element and holder.

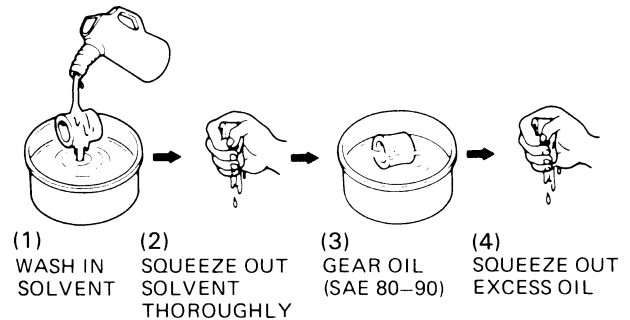
Remove the element from the holder.

(1) ELEMENT BAND



Wash the element in non-flammable or high flash point solvent, squeeze out the solvent thoroughly, and allow to dry.

Soak the element in gear oil (SAE 80–90) and squeeze out excess.



Reinstall the element on the holder and apply a light coat of grease to the sealing edge of the element.

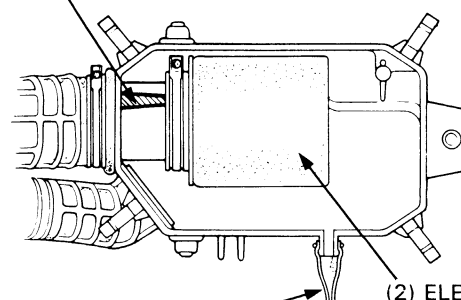
Install the element/holder into the case so that its front end contacts the ridge as shown and secure it with the band.

Reinstall the air cleaner cover and the seat/rear fender.

### AIR CLEANER CASE BREATHER

Press the end of the drain valve and drain the deposit from the air cleaner case.

(1) RIDGE



(3) DRAIN VALVE

(2) ELEMENT/  
HOLDER