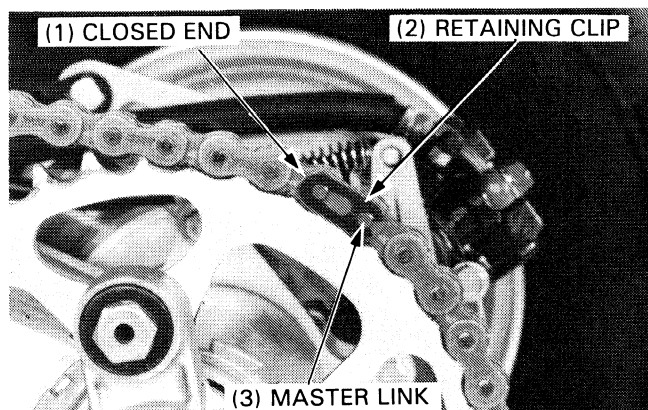


Install the drive chain.  
Install the master link with O-rings and chain retaining clip.

**NOTE**

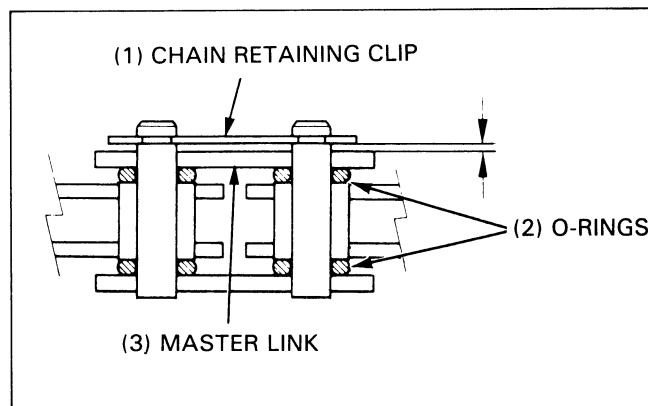
- The closed end of the clip should face the direction of drive chain travel.



**CAUTION**

- Do not assemble the drive chain without the four O-rings.
- Be sure that there is no space between the master link and chain retaining clip.

Adjust the drive chain.

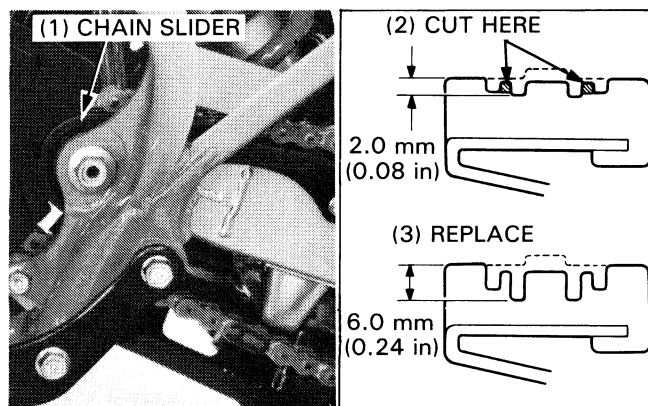


**DRIVE CHAIN SLIDER**

Check the drive chain slider for wear or damage.

When the depth of the grooves in the slider reaches 2.0 mm (0.08 in), remove material to lower the height of the center ridge between the grooves to less than 2.0 mm (0.08 in).

Replace the slider when the depth of the grooves reaches 6.0 mm (0.24 in).



**SUSPENSION**

**FRONT SUSPENSION**

Check the action of the front forks by compressing them several times.

Check the entire fork assembly for signs of leaks or damage. Replace damaged components which cannot be repaired.

**NOTE**

- Do not repair bent fork tubes. They must be replaced.

Tighten all nuts and bolts to the specified torque values.

