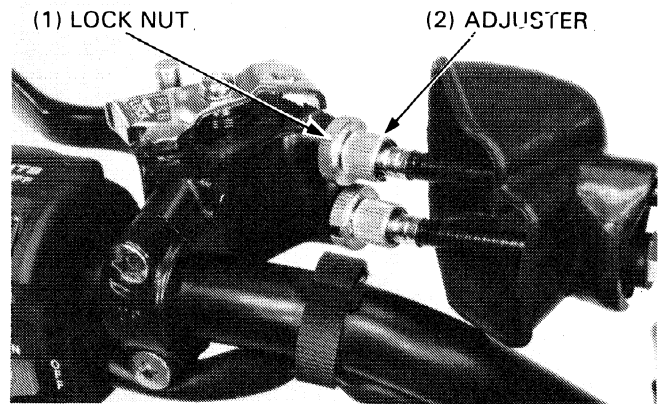


Recheck the lever free play and adjust, if necessary, by loosening the lock nut and turning the adjuster.
Tighten the lock nut.
Reconnect the clutch cable.

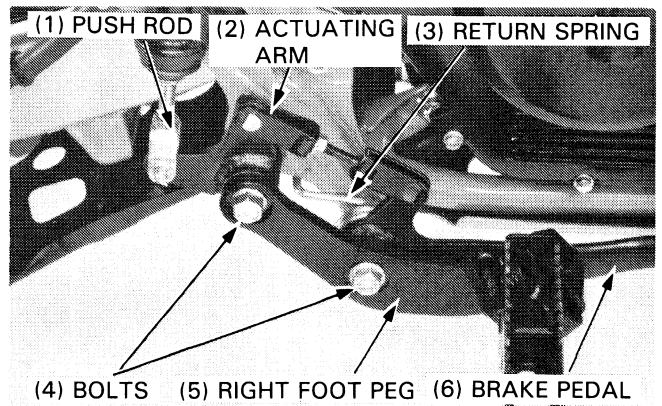


REAR BRAKE PIVOTS

Disconnect the actuating arm from the master cylinder push rod by removing the cotter pin and joint pin.

Remove the right foot peg bolts and foot peg.

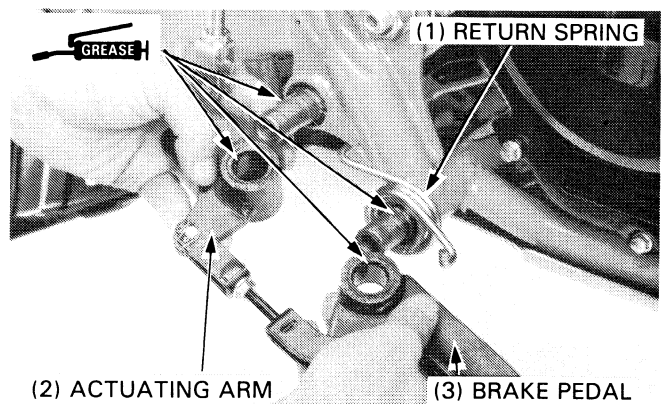
Remove the actuating arm/pedal and return spring.



Check the I.D. of the actuating arm and brake pedal, and the O.D. of the pivot shafts for wear or damage.
Replace any parts that are excessively worn.

Install the return spring onto the frame.

Apply grease to the brake pedal and actuating arm pivots and install the brake pedal/actuating arm assembly onto the pivots.



Install the right foot peg and tighten the bolts.

TORQUE: 40–50 N·m (4.0–5.0 kg·m, 29–36 ft·lb)

Connect the master cylinder push rod to the actuating arm using the joint pin and secure it with a new cotter pin.

