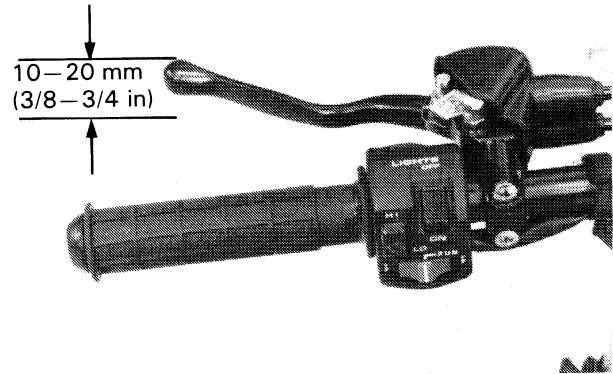


## MAINTENANCE

### CLUTCH

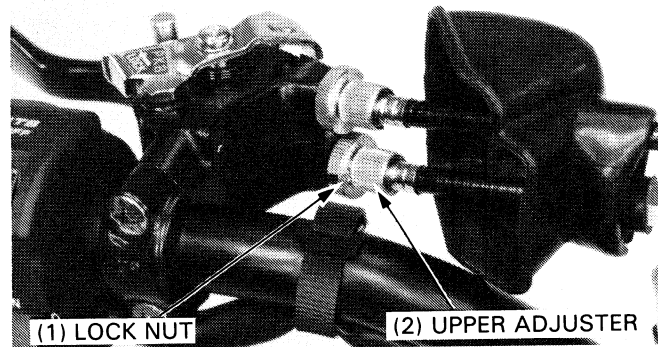
Measure the clutch lever free play:

**FREE PLAY: 10–20 mm (3/8–3/4 in)**



Perform minor adjustments with the upper adjuster.

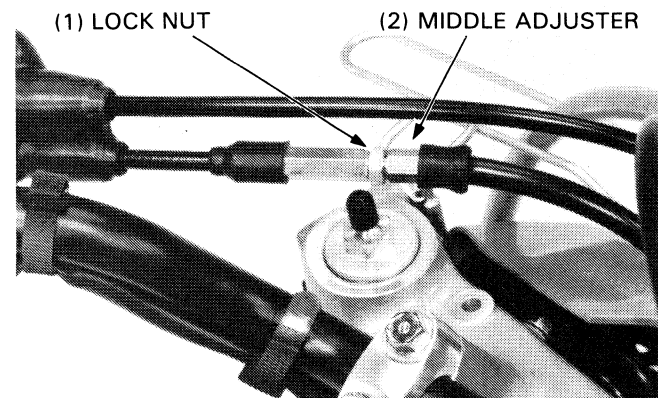
Loosen the lock nut and turn the adjuster to obtain the specified free play.  
Tighten the lock nut.



Perform major adjustments with the middle adjuster:

Loosen the lock nut and turn the adjuster nut.  
Tighten the lock nut.

Check the clutch operation.



### SPARK ARRESTER

#### WARNING

- *Do not remove or install the muffler lid while the exhaust pipe is hot.*
- *Perform this operation in a well-ventilated area, free from fire hazard.*
- *Use adequate eye protection.*

Remove the muffler lid. Block the end of the muffler with a shop towel.

