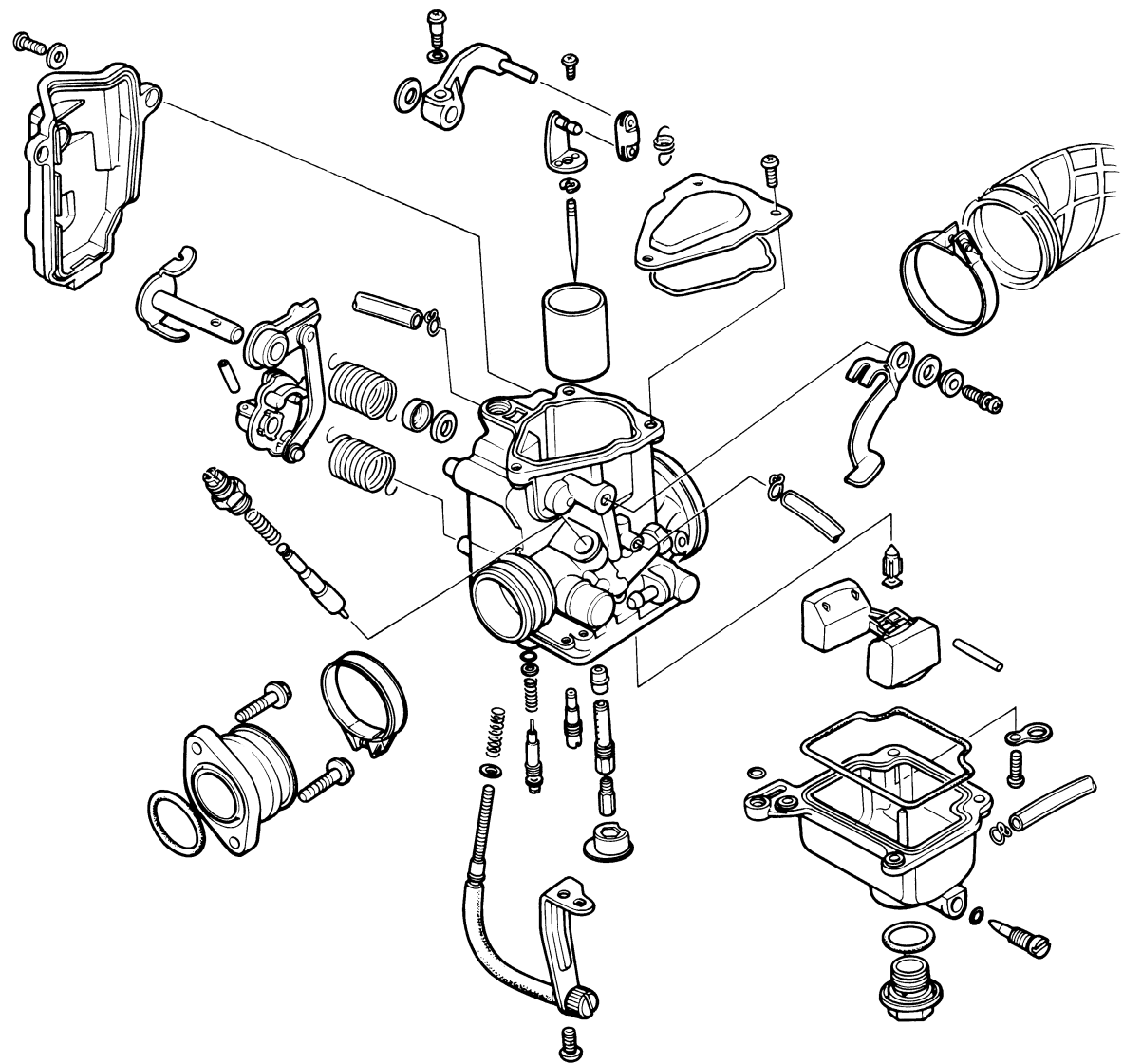


CARBURETOR REMOVAL



Remove the fuel tank (page 4-3).

Loosen the air cleaner connecting tube and carburetor insulator bands and remove the carburetor.

