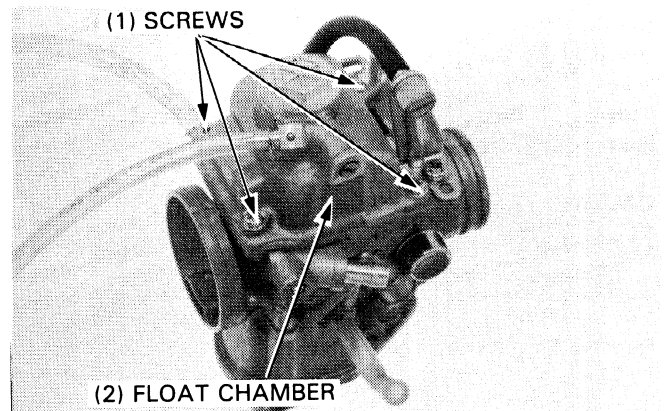


FLOAT CHAMBER

REMOVAL

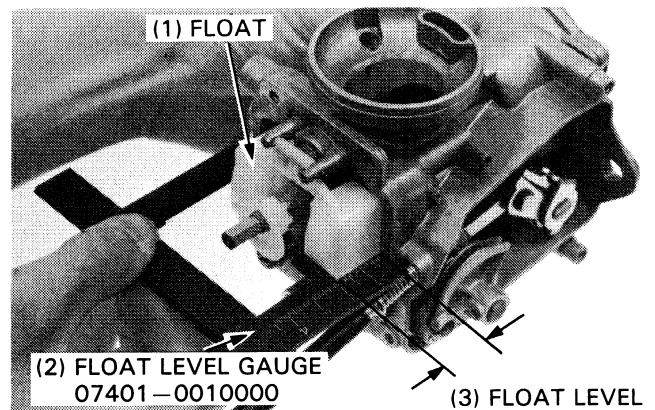
Remove the four float chamber screws and the float chamber.



FLOAT LEVEL

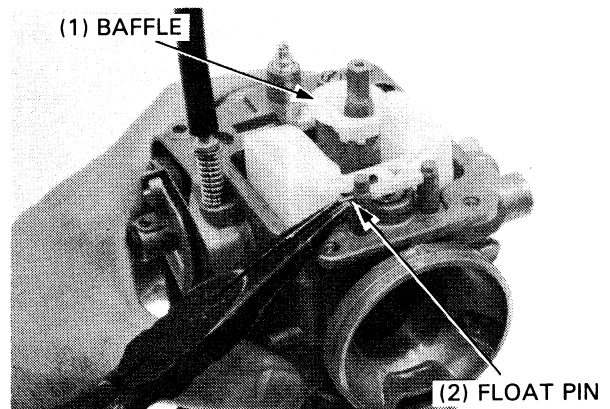
Measure the float level with a float level gauge as shown.

SPECIFICATIONS: 18.5 mm (0.73 in)



FLOAT AND JETS

Remove the float pin, baffle, float and float valve.



Inspect the float valve for grooves and nicks.
Replace as required.
Inspect the operation of the float valve.

