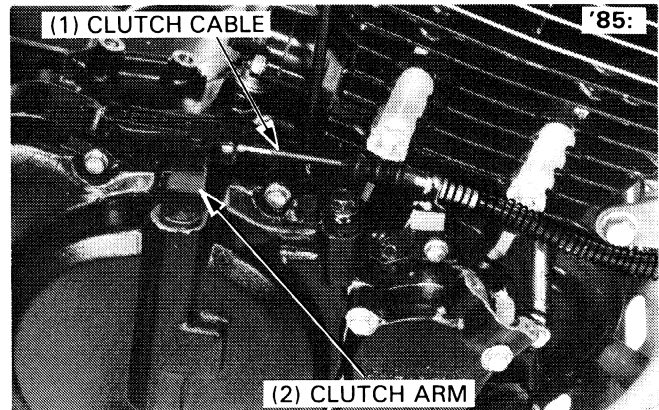


ENGINE REMOVAL

Remove the following:

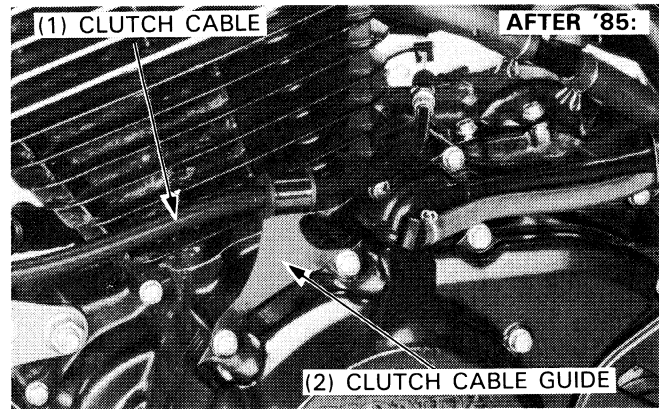
- seat/rear fender (page 15-1)
- fuel tank (page 4-3)
- exhaust pipe and muffler (page 15-2)
- carburetor (page 4-5)
- oil cooler (page 2-3).

Disconnect the clutch cable from the clutch arm.

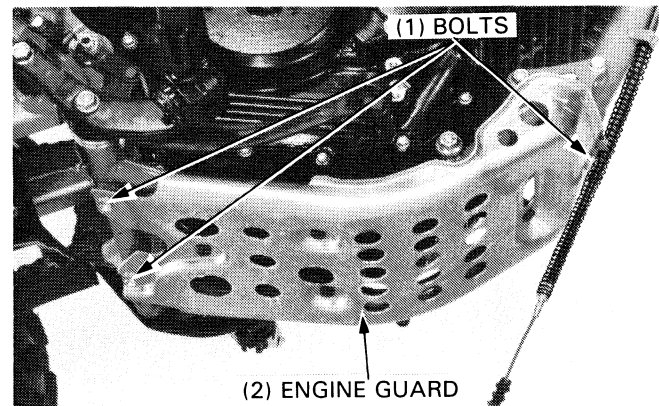


After '85:

Remove the clutch cable guide from the alternator cover. Disconnect the clutch cable from the clutch arm and cable holder.



Remove the engine guard by removing the three bolts.



Remove the spark plug cap from the spark plug.

Disconnect the crankcase breather tube from the crankcase.

Disconnect the alternator and pulse generator wire couplers and connector.

