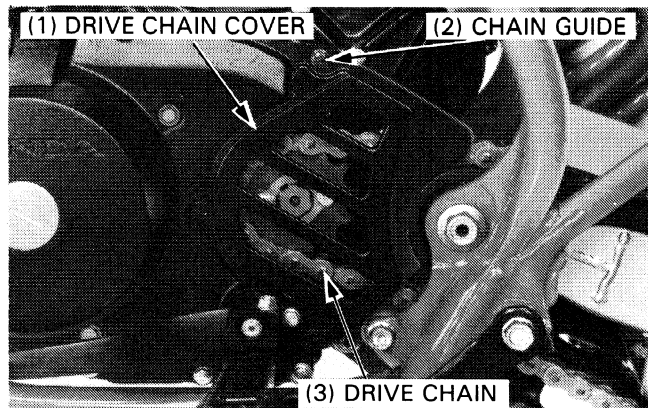


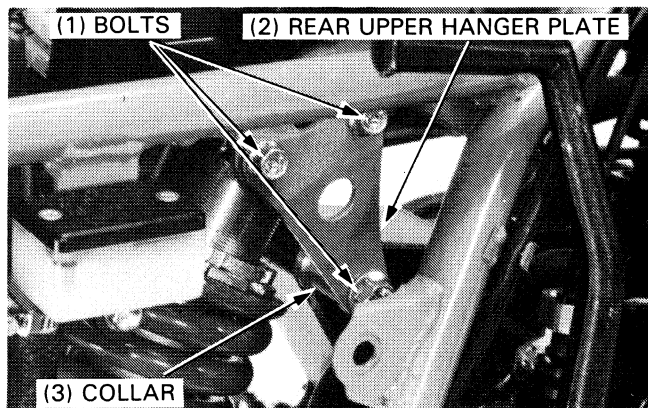
Loosen the drive chain (pages 3-9 and 3-10).

Remove the drive sprocket cover, chain guide and chain (page 9-2).



Place a floor jack or other adjustable support under the engine.

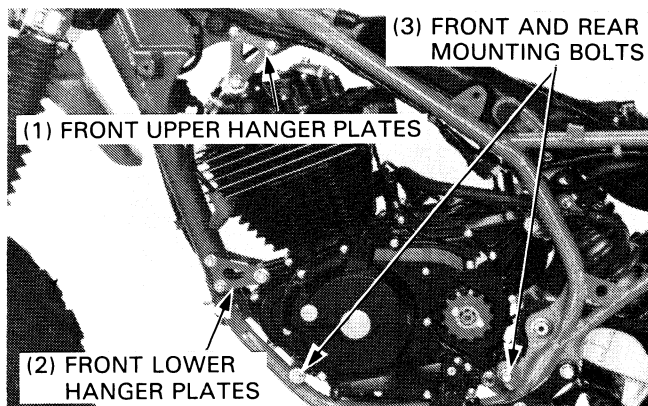
Remove the rear upper engine hanger plate bolts, plate and collar:



Remove the front upper and lower engine hanger plate bolts and the plates.

Remove the front and rear engine mounting bolts.

Remove the engine from the right side.



ENGINE INSTALLATION

Engine installation is essentially the reverse of removal. Tighten the all fasteners to the specified torque.

TORQUE:

ENGINE MOUNTING BOLTS

10 mm BOLTS	55–65 N·m (5.5–6.5 kg-m, 40–48 ft-lb)
8 mm BOLTS	24–35 N·m (2.4–3.5 kg-m, 17–25 ft-lb)

NOTE

- The engine hanger plates are marked "L" for left side or "R" for right side.
- Route the wires and cables properly (page 1-9).
- Fill the crankcase to the proper level with the recommended oil (page 2-1).
- Perform the following inspections and adjustments:
Throttle operation (page 3-7).
Clutch (page 3-16).

