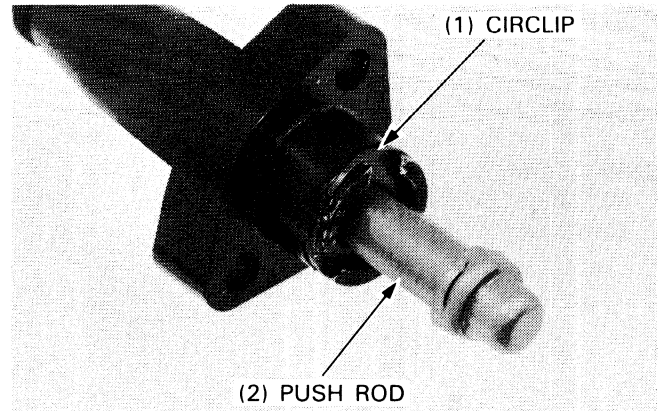
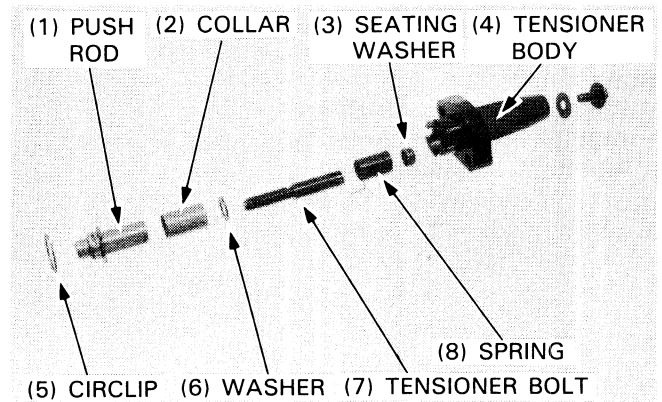


After '85:

Remove the push rod by removing the circlip.



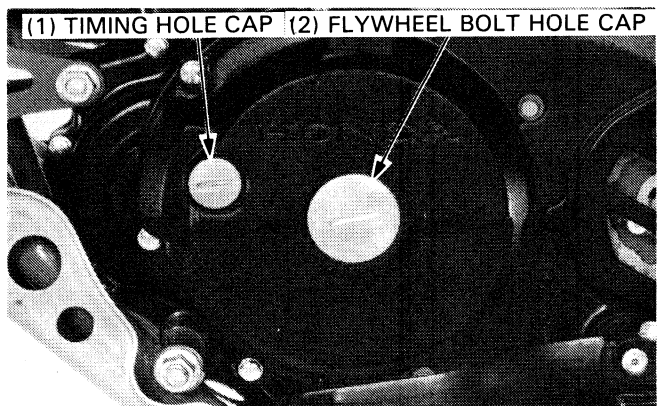
Inspect the tensioner spring for weakness or damage. Inspect the tensioner components for wear or damage and replace if necessary.



CAMSHAFT REMOVAL

REMOVAL

Remove the timing and flywheel bolt hole caps.



Turn the flywheel counterclockwise and remove the cam sprocket bolts and cam sprocket.

Remove the camshaft.

Suspend the cam chain with a piece of wire to prevent it from falling into the crankcase.

Remove the camshaft end cap.

