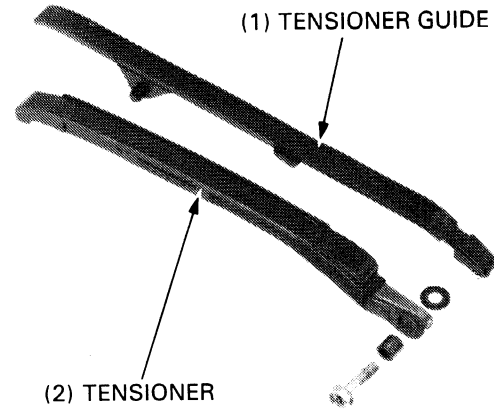


CYLINDER HEAD/VALVES

INSPECTION

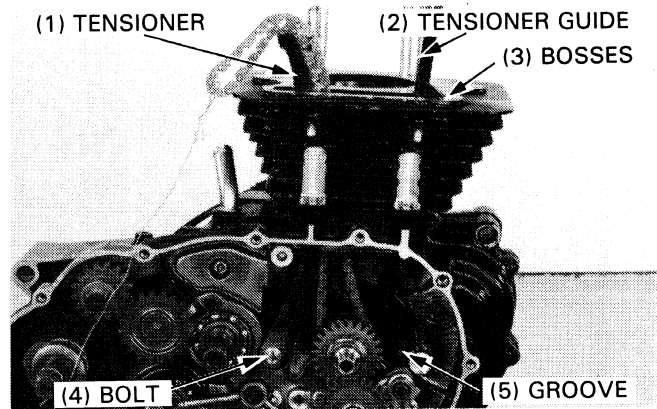
Inspect the cam chain tensioner guide and tensioner for wear or damage.



INSTALLATION

Install the tensioner, washer and collar and tighten the bolt. Install the tensioner guide aligning its lower end with the groove in the crankcase, and its bosses with the grooves in the cylinder upper surface.

Install the removed parts in the reverse order of removal.

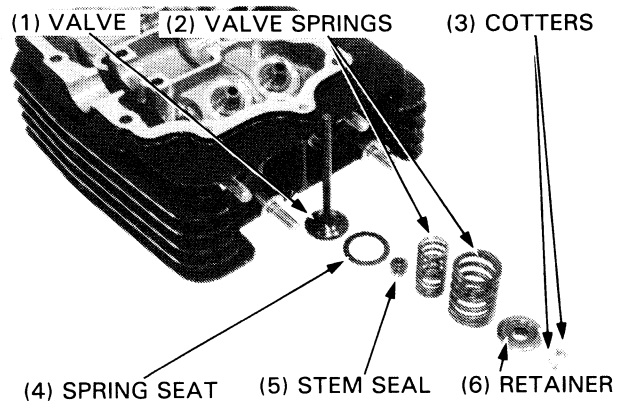


CYLINDER HEAD ASSEMBLY

Install the valve spring seat and a new stem seal.

Lubricate each valve stem with molybdenum disulfide grease and insert the valve into the valve guide. To avoid damage to the stem seal, turn the valve slowly when inserting.

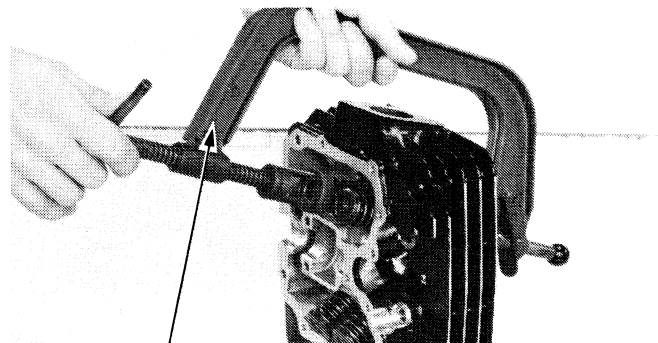
Install the valve springs with the tightly wound coils facing the cylinder head.



Install the valve spring retainers and the valve cotters.

CAUTION

- To prevent loss of tension, do not compress the springs more than necessary.



(1) VALVE SPRING COMPRESSOR
07757-001000 OR 07957-3290001