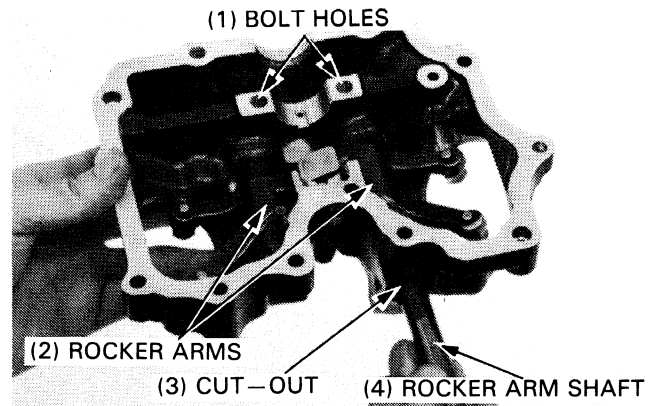


CYLINDER HEAD COVER ASSEMBLY/ INSTALLATION

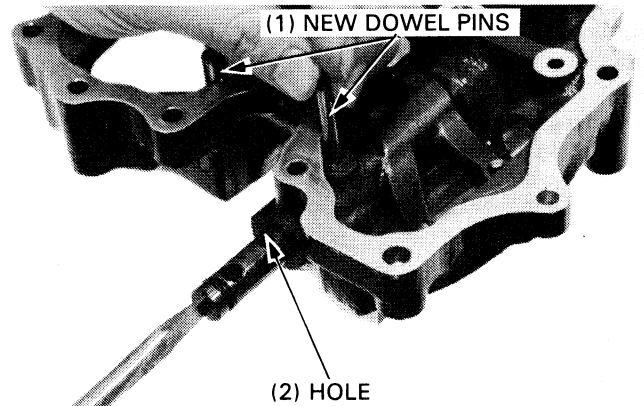
ASSEMBLY

Oil the rocker arm shafts and arms.

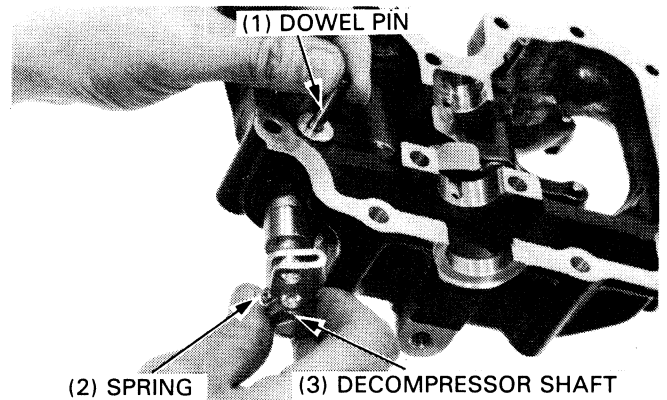
Install new O-rings into the grooves of the rocker arm shafts and install the rocker arms and shafts aligning the cut-out in the shafts with the cover mounting bolt holes.



Align the dowel pin holes in the cylinder head cover and rocker arm shaft and install new dowel pins.



Install the decompressor shaft and spring and insert the dowel pin.



INSTALLATION

Apply liquid sealant to the mating surfaces of the cylinder head cover as shown.

NOTE

- Do not apply sealant to the camshaft bearing surfaces.

(1) DO NOT APPLY SEALANT TO THESE AREA.

