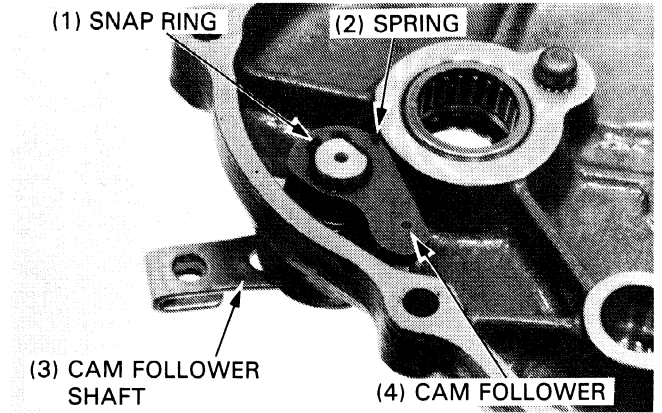


**DECOMPRESSOR CAM FOLLOWER SHAFT
DISASSEMBLY**

Remove the snap ring, cam follower, spring and cam follower shaft.

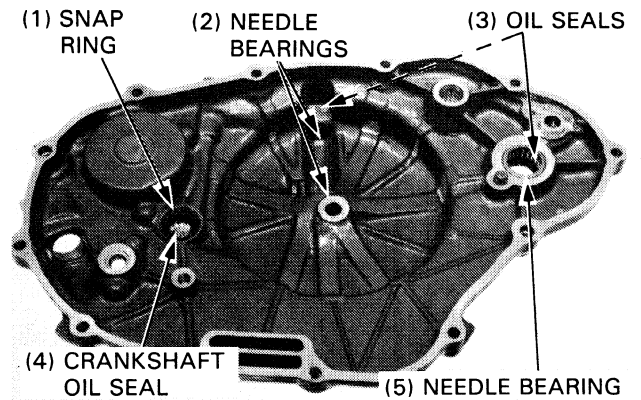


NEEDLE BEARING/OIL SEAL REPLACEMENT

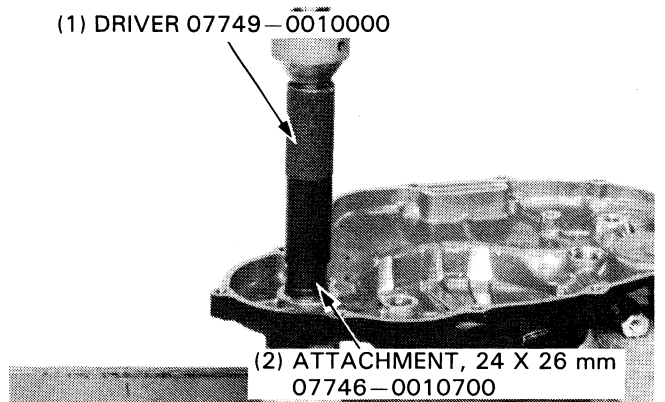
Check the oil seals and needle bearings for wear or damage and replace if necessary.

Remove the snap ring and crankshaft oil seal.

Remove each oil seal and needle bearing.



Drive in a new kick starter shaft needle bearing using the special tools.



Install new kick starter and cam follower shaft oil seals.

Install new clutch lifter needle bearings and an oil seal.

