

## CLUTCH/OIL PUMP/KICK STARTER

---

### INSPECTION

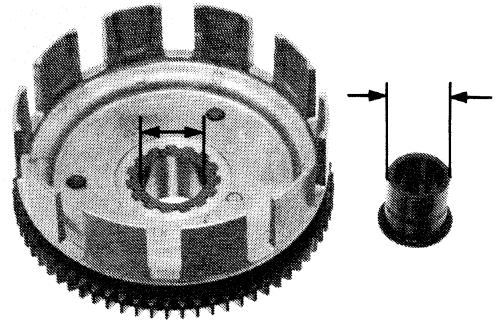
Check the slots of the clutch outer for damage or wear made by the clutch discs. Replace the outer if necessary.

Measure the O.D. of the clutch outer guide and I.D. of the clutch outer.

**SERVICE LIMIT:**

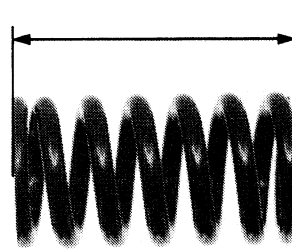
I.D. : 28.05 mm (1.104 in)

O.D.: 27.92 mm (1.099 in)



Measure the spring free length.

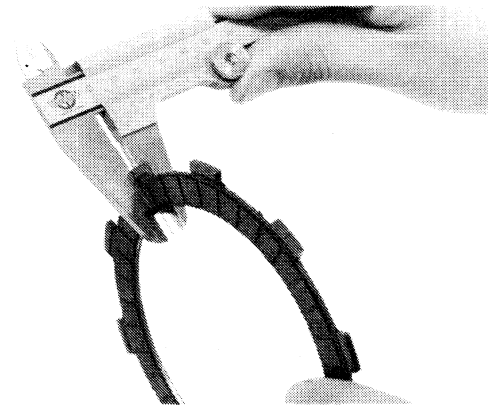
**SERVICE LIMIT: 36.2 mm (1.43 in)**



Replace the clutch discs if they show signs of scoring or discoloration.

Measure the disc thickness.

**SERVICE LIMIT: 2.6 mm (0.10 in)**



Check for plate and disc warpage on a surface plate using a feeler gauge.

**SERVICE LIMIT: 0.20 mm (0.008 in)**

