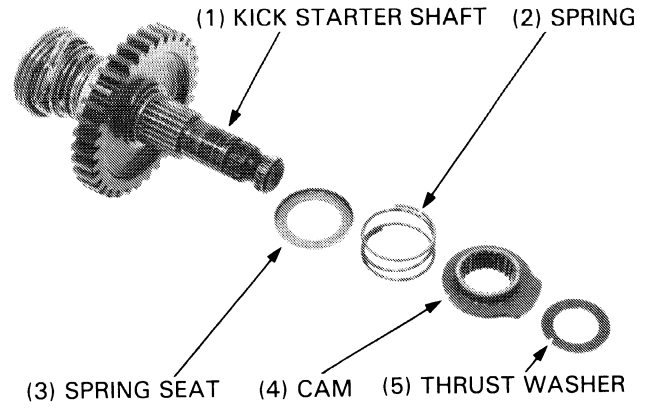
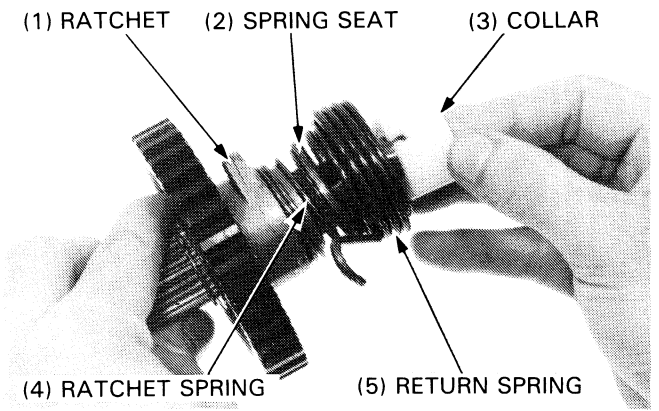


DISASSEMBLY

Remove the thrust washer, decompressor cam, spring and spring seat from the kick starter shaft.



Remove the thrust washer, collar, return spring, spring seat, ratchet spring and ratchet.



Remove the snap rings, thrust washers and starter pinion gear from the starter shaft.

