

CLUTCH/OIL PUMP/KICK STARTER

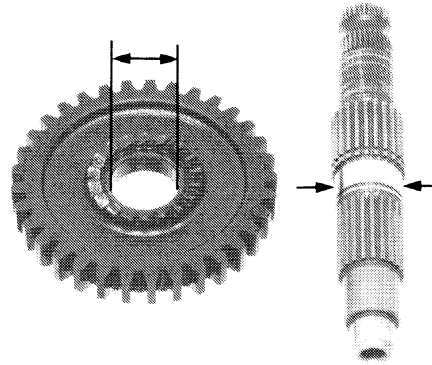
INSPECTION

Measure the kick starter shaft O.D.

SERVICE LIMIT: 21.90 mm (0.862 in)

Check the pinion gear teeth for damage and measure the gear I.D.

SERVICE LIMIT: 22.10 mm (0.870 in)



Measure the kick starter 2nd idler gear I.D.

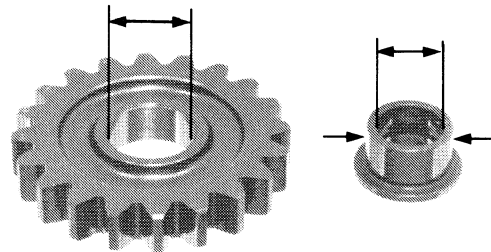
SERVICE LIMIT: 18.06 mm (0.711 in)

Measure the 2nd idler gear bushing I.D. and O.D.

SERVICE LIMIT:

I.D. : 14.05 mm (0.553 in)

O.D.: 17.93 mm (0.706 in)

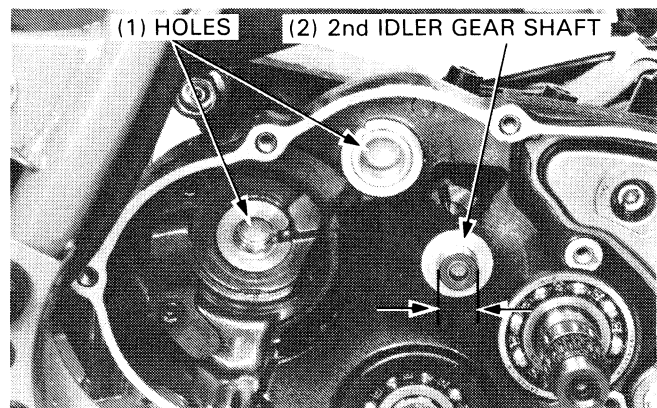


Check the kick starter shaft and kick 1st idler shaft holes in the right crankcase for wear or damage.

Measure the 2nd idler gear shaft O.D.

SERVICE LIMIT: 14.95 mm (0.589 in)

To replace the 2nd idler gear shaft, the crankcase must be separated (section 10).



ASSEMBLY

Install the snap ring in the groove in the shaft.

Install the thrust washer, pinion gear, thrust washer and snap ring onto the shaft.

