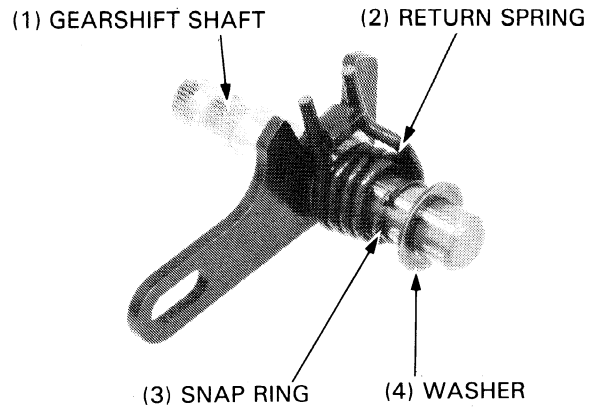


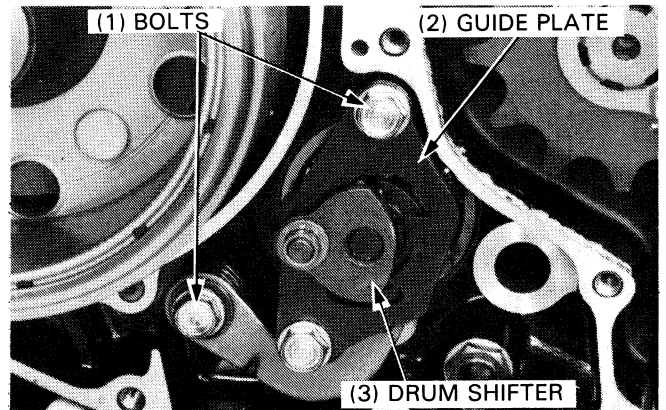
ALTERNATOR/GEARSHIFT LINKAGE

Remove the washer, snap ring and return spring from the gearshift shaft.

Check all parts for wear or damage; replace if necessary.

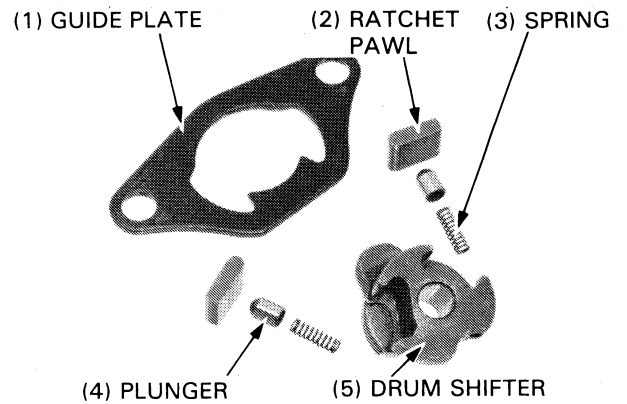


Remove the guide plate bolts, guide plate and drum shifter.



Disassemble the guide plate and drum shifter.

Check the ratchet pawls, plungers, springs and drum shifter for wear or damage and replace any damaged parts.



Remove the collars, dowel pins and bearing stop plates.

