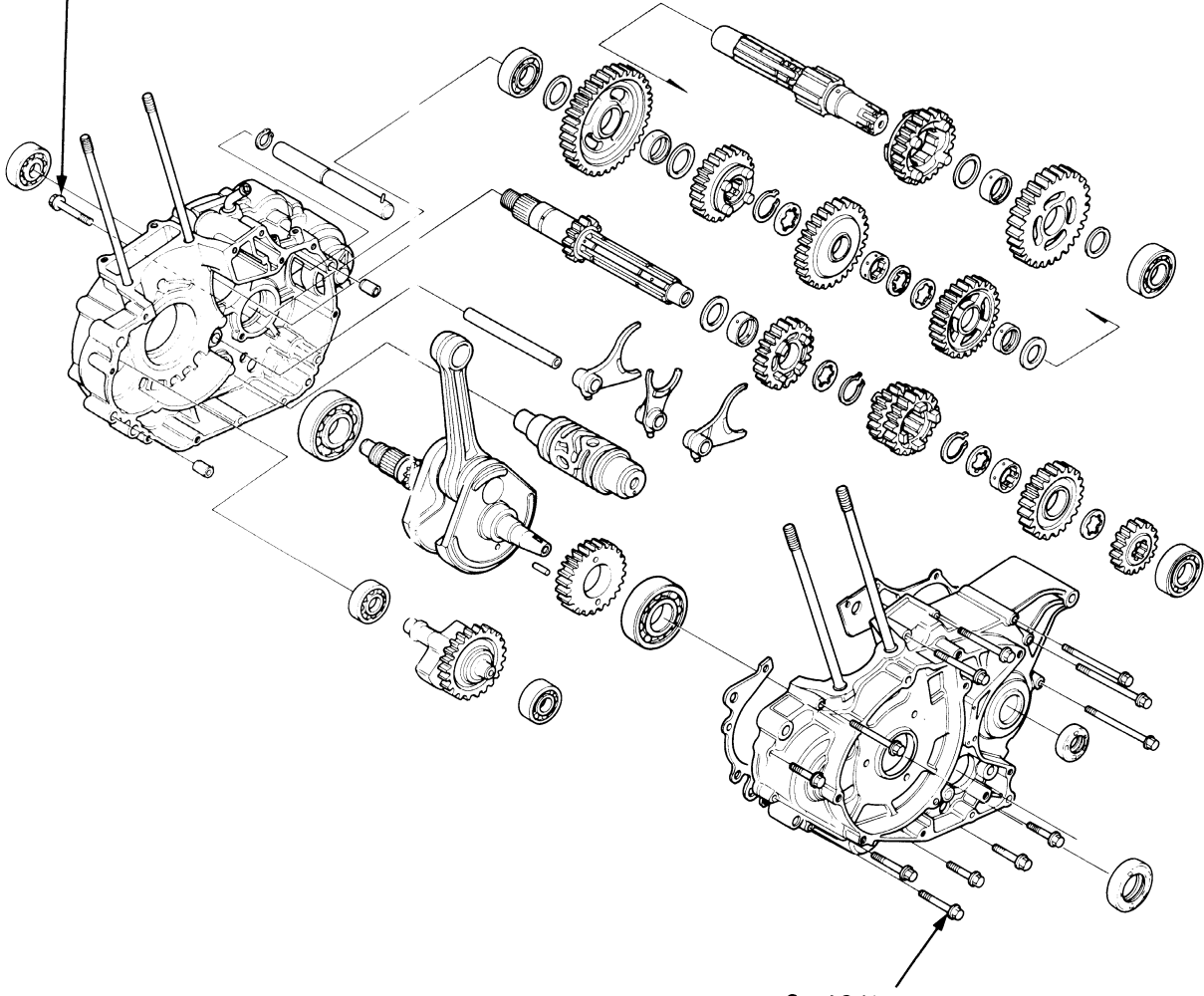


CRANKCASE/TRANSMISSION/CRANKSHAFT

8-12 N·m
(0.8-1.2 kg-m,
6-9 ft-lb)



8-12 N·m
(0.8-1.2 kg-m,
6-9 ft-lb)