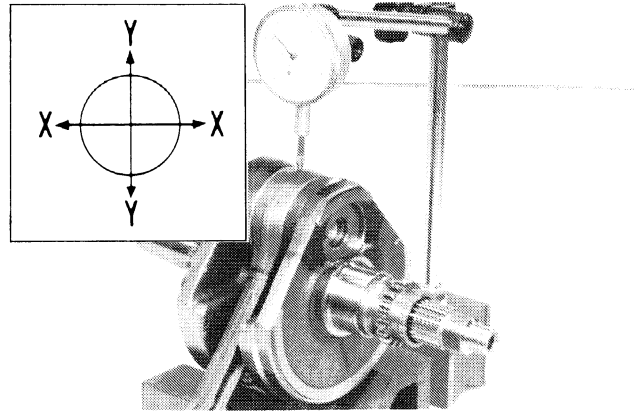


## CRANKCASE/TRANSMISSION/CRANKSHAFT

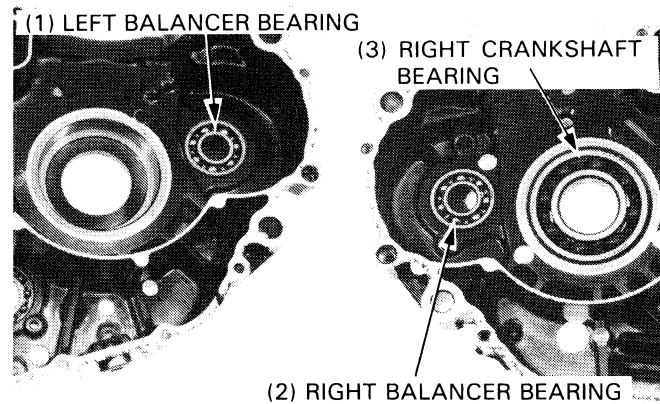
Measure the connecting rod radial clearance at two points in the directions indicated by the arrows.

**SERVICE LIMIT: 0.05 mm (0.002 in)**



## BEARING INSPECTION/REPLACEMENT

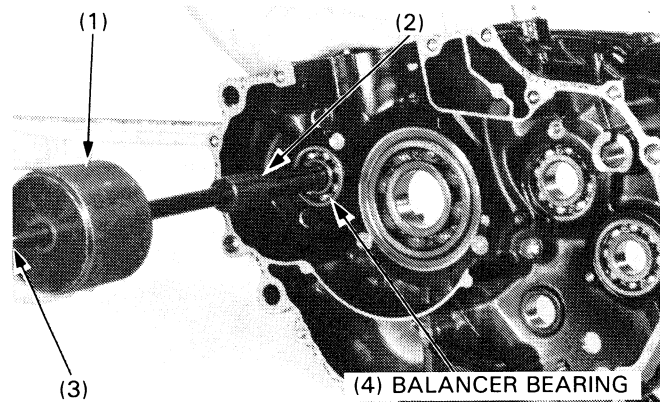
Turn the inner race of each bearing with your finger. The bearings should turn smoothly and quietly. Also check that the bearing outer race fits tightly in the crankcase.



Remove the balancer bearings using the bearing remover.

### TOOLS:

- (1) REMOVER WEIGHT 07936-3710200 or 07741-0010201
- (2) BEARING REMOVER, 17 mm 07936-3710300
- (3) REMOVER HANDLE 07936-3710100



Drive in new balancer bearings.

