

DISASSEMBLY

Release air pressure and remove the fork boot.

Hold the fork tube in a vise with soft jaws or a shop towel and remove the fork tube cap.

CAUTION

- Do not damage the fork tube sliding surface.

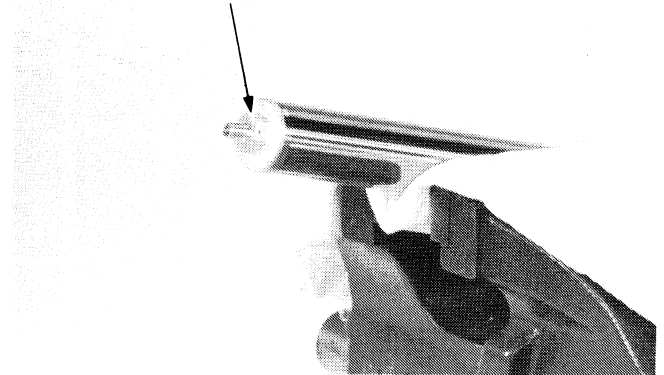
WARNING

- The fork cap is under spring pressure. Use care when removing the cap to keep it from causing injury.

Remove the spring seat and fork springs.

Drain the fork oil by pumping the fork up and down several times.

(1) FORK TUBE CAP



Hold the fork slider in a vise with soft jaws or shop towel.

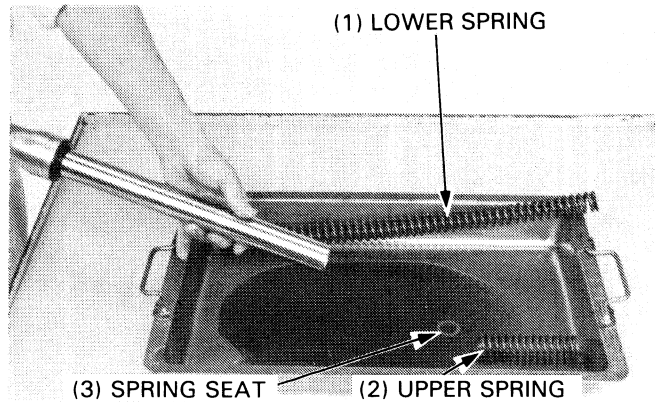
CAUTION

- Do not overtighten the slider in the vise. Overtightening will damage the slider.

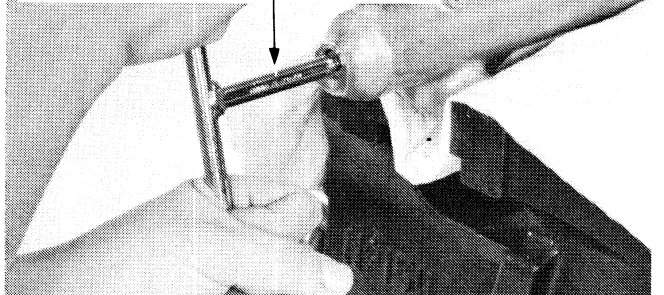
Remove the socket bolt with a hex wrench.

NOTE

- Temporarily install the springs and fork tube cap if difficulty is encountered in removing the socket bolt.



(1) HEX. WRENCH, 6 mm
07917-3230000 OR EQUI-
VALENT COMMERCIALY AVAI-
LABLE IN U.S.A.



Remove the fork piston and rebound spring.

Remove the dust seal.

(1) DUST SEAL

