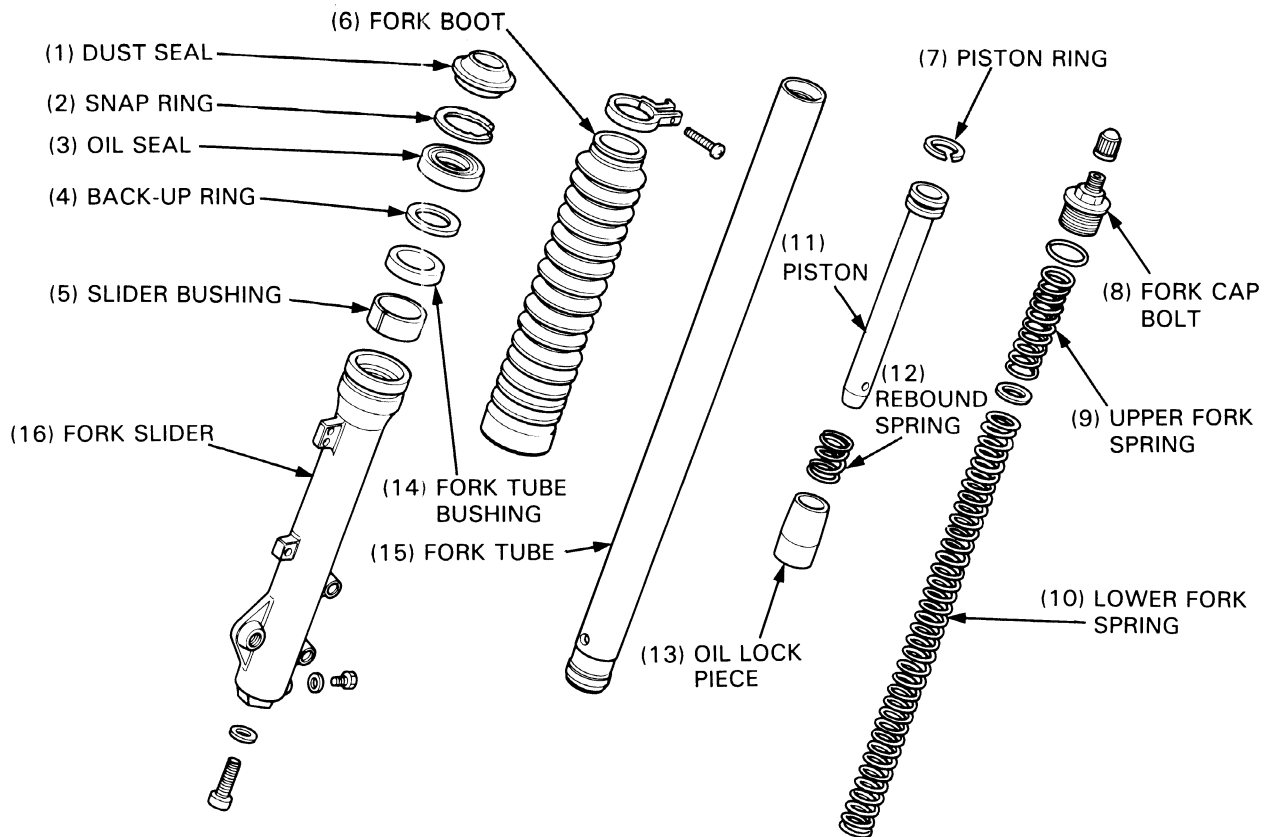


FRONT WHEEL/SUSPENSION/STEERING

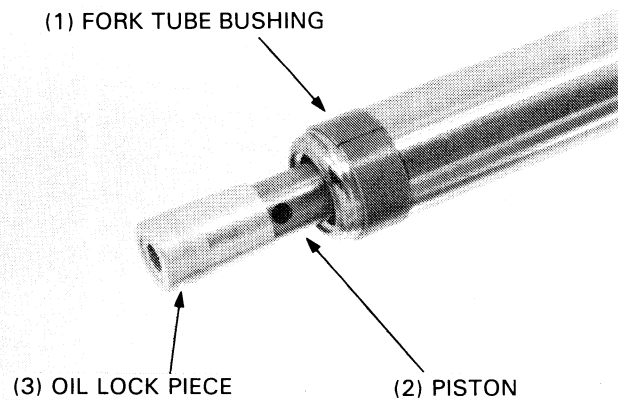


Install the piston ring on the piston.

Install the fork tube bushing if a new one is being installed.

Install the rebound spring and piston into the fork tube.

Place the oil lock piece on the end of the piston and insert the fork tube into the slider.



Place the fork slider in a vise with soft jaws or a shop towel.

Clean the socket bolt threads and apply thread lock agent to the threads. Screw the socket bolt into the piston and tighten it with a 6 mm hex wrench.

NOTE

- Temporarily install the fork springs and fork tube cap to tighten the socket bolt.

TORQUE: 15–20 N·m (1.5–2.0 kg·m, 11–14 ft·lb)

